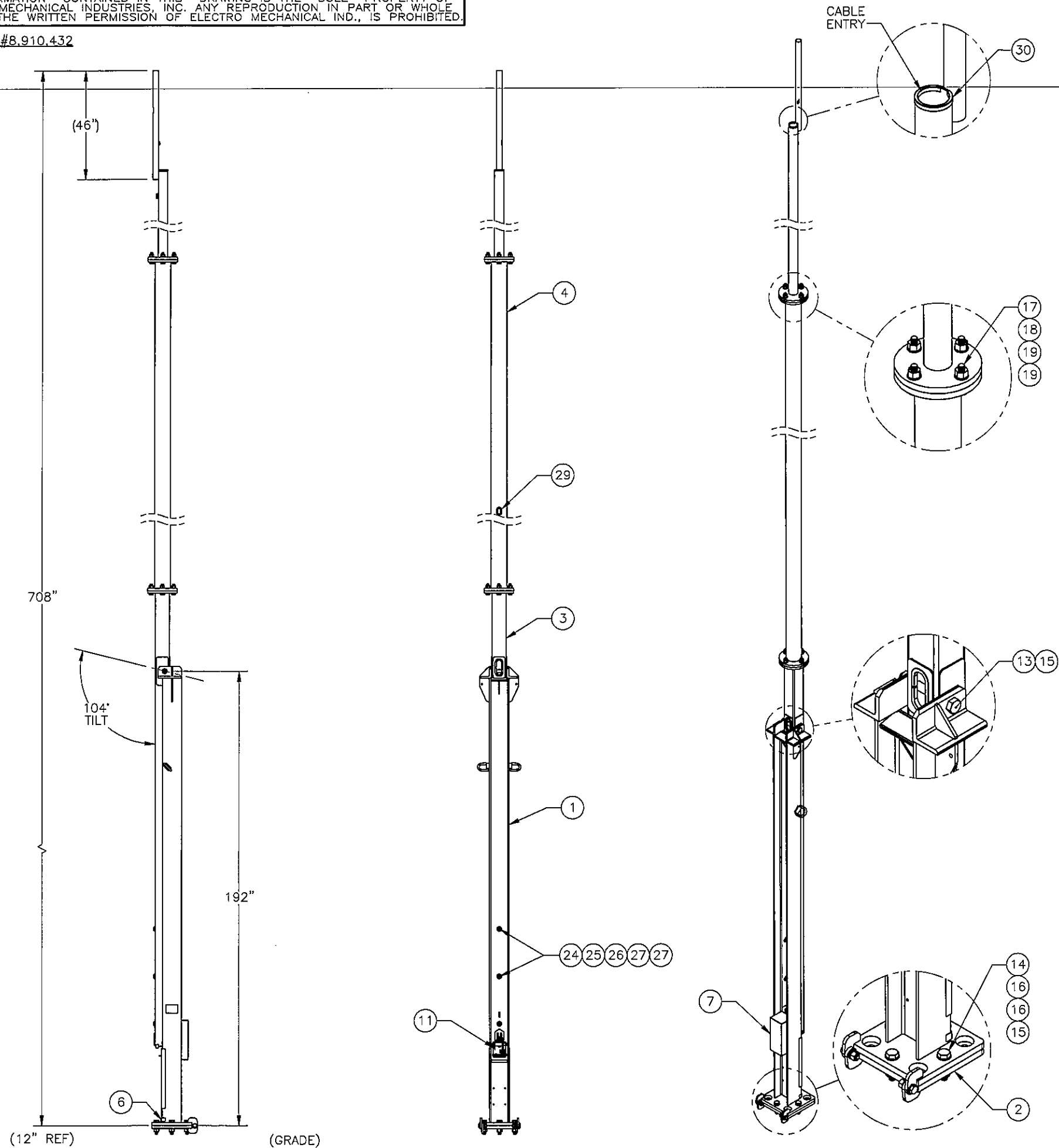


THE INFORMATION CONTAINED IN THIS DRAWING IS THE SOLE PROPERTY OF ELECTRO MECHANICAL INDUSTRIES, INC. ANY REPRODUCTION IN PART OR WHOLE WITHOUT THE WRITTEN PERMISSION OF ELECTRO MECHANICAL IND., IS PROHIBITED.

PATENT: #8.910.432



| REVISIONS |          |  |            |     |          |
|-----------|----------|--|------------|-----|----------|
| REV.      | DCN #    | DESCRIPTION                              | DATE       | BY  | APPROVED |
| 2         | DCN00869 | UPDATED HARDWARE AND ADDED SAFETY DECALS | 2020.06.25 | BLH | JPB      |

| ITEM NO. | QTY. REQ'D. | PART NUMBER       | DESCRIPTION  | LENGTH | WEIGHT |
|----------|-------------|-------------------|--|--------|--------|
| 1        | 1           | 400-004-5002-0100 | SUPPORT BASE ASSEMBLY                                |        | 790.3  |
| 2        | 1           | 400-004-5002-0130 | HINGE BASE   |        | 100.0  |
| 3        | 1           | 400-004-5000-0210 | LOWER SQUARE MAST ASSEMBLY                           |        | 341.2  |
| 4        | 1           | 400-004-5000-0310 | MIDDLE ROUND MAST ASSEMBLY                           |        | 428.1  |
| 5        | 1           | 400-004-5000-0320 | UPPER ROUND MAST ASSEMBLY                            |        | 195.3  |
| 6        | 1           | 400-004-5002-0129 | FRONT COVER  |        | 7.09   |
| 7        | 1           | 400-004-3050-0612 | WINCH COVER  |        | 8.740  |
| 8        | 1           | 400-004-5000-0080 | 4" PULLEY ASSEMBLY                                   |        | 2.40   |
| 9        | 1           | 400-004-5000-0071 | .875 DIA. X 6.75 LG. PIN                             |        | 1.13   |
| 10       | 1           | 400-004-5000-0072 | .875 DIA. X 2.25 LG. PIN                             |        | 0.36   |
| 11       | 1           | 1002-0050-0007    | WINCH KIT (1/4" X 47' WIRE ROPE)                     |        | 8.7    |
| 12       | 4           | 002-00C-0002      | COTTER PIN, .187 X 1.50 LG, GALV                     |        | 0.01   |
| 13       | 1           | 002-0BG-0035      | BOLT, 1.25-7UNC X 10.00 LG, ASTM A325, GALV          |        | 4.15   |
| 14       | 4           | 002-0BG-0031      | BOLT, HX HD, 1.25-7UNC X 5.00 LG, GR B7, GALV        |        | 2.38   |
| 15       | 5           | 002-0NG-0020      | NUT, HX, ANCO LOCKNUT, 1.25-7UNC, GR 2H, GALV        |        | 0.79   |
| 16       | 8           | 002-0FW-G011      | WASHER, FLAT, 1.25, ASTM F436, GALV                  |        | 0.13   |
| 17       | 8           | 002-0BG-0210      | BOLT, HX HD, 1.00-8 X 4.00 LG, ASTM A193 GR B7, GALV |        | 1.21   |
| 18       | 8           | 002-0NG-0000      | NUT, HX, ANCO LOCK, 1.00-8UNC, GR 2H, GALV           |        | 0.43   |
| 19       | 16          | 002-0FW-G009      | WASHER, FLAT, 1.00", F436, GALV.                     |        | 0.08   |
| 20       | 2           | 002-0BG-0040      | BOLT, HX HD, .875-9UNC X 3.00 LG, ASTM A325, GALV    |        | 0.75   |
| 21       | 2           | 002-0NG-0009      | NUT, HEX, .875-9UNC, GR 2H, GALV                     |        | 0.29   |
| 22       | 2           | 002-0LW-G007      | WASHER, SPLIT LOCK, .875, GALV                       |        | 0.06   |
| 23       | 4           | 002-0FW-G008      | WASHER, FLAT, .875, ASTM F436, GALV                  |        | 0.09   |
| 24       | 3           | 002-0BG-0029      | BOLT, HX HD, .75-10UNC X 9.00 LG, ASTM A325, GALV    |        | 1.29   |
| 25       | 3           | 002-0NG-0002      | NUT, HX, .75-10UNC, GR 2H, GALV                      |        | 0.19   |
| 26       | 3           | 002-0LW-G003      | WASHER, SPLIT LOCK, .75", GALV                       |        | 0.04   |
| 27       | 6           | 002-0FW-G000      | WASHER, FLAT, .75 INCH, USS, GALV                    |        | 0.09   |
| 28       | 1           | 309-000-0002-15   | EDGE GUARD, 1/2", 15" LG,                            | 15"    | 0.102  |
| 29       | 1           | 309-000-0003-11   | EDGE GUARD, 1/4", 11" LG.                            | 11"    | 0.0    |
| 30       | 1           | 309-000-0001-10   | EDGE GUARD, 3/16", 10" LG                            | 10"    | 0.0    |
| 31       | 2           | 999-999-L001      | 3.5" x 5" DO NOT CLIMB DECAL                         |        | 0.006  |
| 32       | 2           | 999-999-L002      | 3.5" x 5" PINCH POINT DECAL                          |        | 0.006  |
| 33       | 1           | 999-999-L003      | 3.5" x 5" WINCH RATING DECAL                         |        | 0.006  |

- △ 25
- △ 28
- △ 29
- △ 30
- △ 31
- △ 32
- △ 33

|   |  |   |  |                              |  |                     |  |
|---|--|---|--|------------------------------|--|---------------------|--|
| SURFACE FINISH ✓ UNLESS OTHERWISE SPECIFIED |  | UNLESS OTHERWISE SPECIFIED DIMENSIONS ARE IN INCHES |  | APPROVALS                    |  | DATE                |  |
| MATERIAL SEE PARTS LIST                     |  | TOLERANCES  |  | DRAWN C. SANCHEZ             |  | 8.15.11             |  |
| THIRD ANGLE PROJECTION                      |  | .00 ± .06   |  | CHECKED V.G. DUVAL           |  | 9.14.11             |  |
| NEXT ASSY                                   |  | .000 ± .005   |  | ENGINEER/DESIGNER V.G. DUVAL |  | 9.14.11             |  |
| USED ON                                     |  | FRACTIONS ± 1/16                                    |  | PRODUCTION J. SUNDERLAND     |  | 9.14.11             |  |
| APPLICATIONS                                |  | ANGLES ± .25°                                       |  | SCALE: 1:192                 |  | WEIGHT: 1924.4 lbs. |  |
|   |  | HOLES: DRILLED OR PUNCHED ± 1/32                    |  | BURNED ± 1/32                |  | REV 2               |  |

ELECTRO MECHANICAL INDUSTRIES, INC.  
11230 NEESEHAW DRIVE  
HOUSTON, TEXAS 77065  
1-800-453-0050

**60' TILT UP TOWER**

DRAWING NO. **400-004-5002**

SHEET 1 OF 1