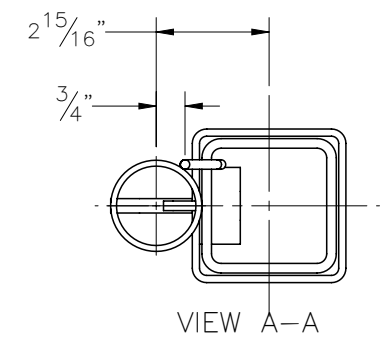
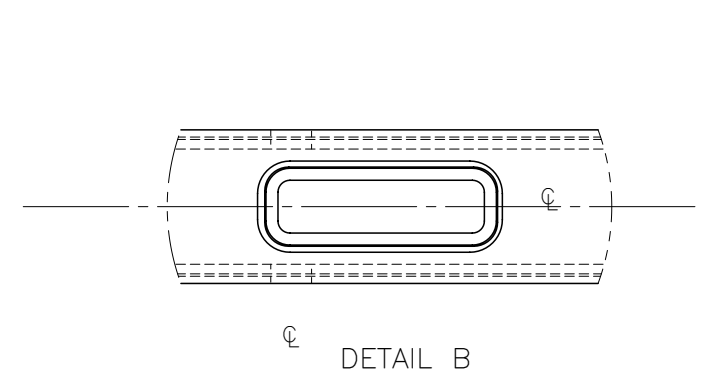
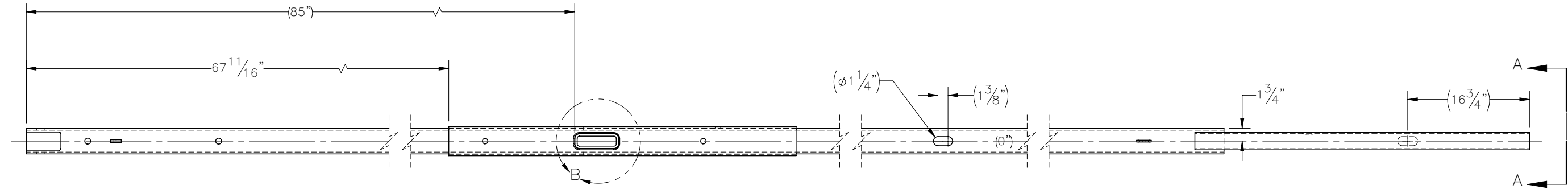
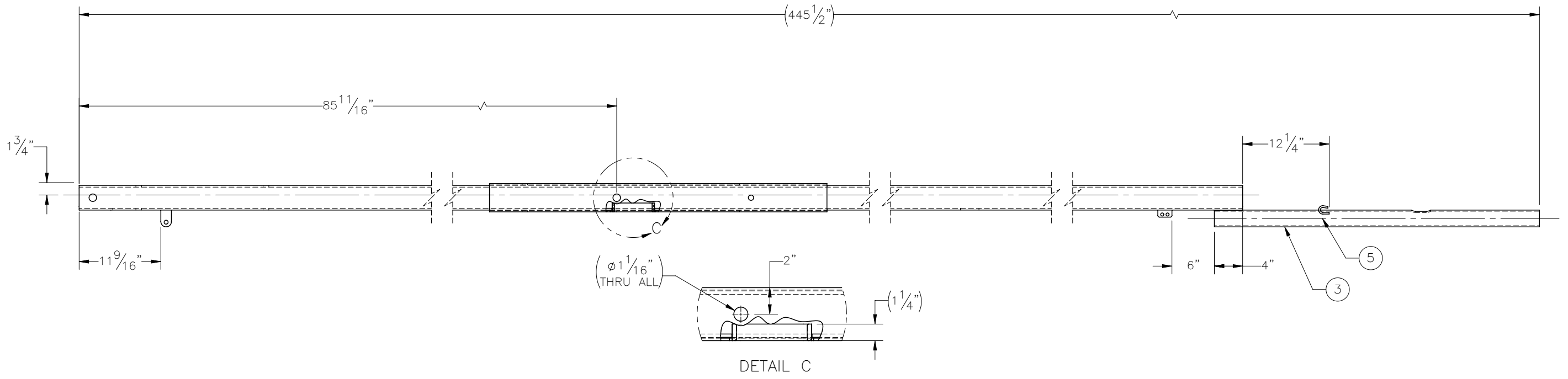

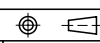


THE INFORMATION CONTAINED IN THIS DRAWING IS THE SOLE PROPERTY OF ELECTRO MECHANICAL INDUSTRIES, INC. ANY REPRODUCTION IN PART OR WHOLE WITHOUT THE WRITTEN PERMISSION OF ELECTRO MECHANICAL IND., IS PROHIBITED.



SURFACE FINISH <input checked="" type="checkbox"/> UNLESS OTHERWISE SPECIFIED		UNLESS OTHERWISE SPECIFIED DIMENSIONS ARE IN INCHES		APPROVALS		DATE		 ELECTRO MECHANICAL INDUSTRIES, INC. 11230 NEESHAW DRIVE HOUSTON, TEXAS 77065 1-800-453-0050	
MATERIAL SEE PARTS LIST		TOLERANCES		DRAWN C. SANCHEZ		3.23.10			
THIRD ANGLE PROJECTION 		.0 ±.06 .00 ±.01 .000 ±.005		CHECKED CG		3.31.10		SIZE B	
NEXT ASSY		FRACTIONS ± 1/16		ENGINEER/DESIGNER VGD		6.27.14		DRAWING NO. 400-004-3050-0200	
USED ON		ANGLES ± .25°		PRODUCTION JKS		1.13.11		REV 1	
APPLICATIONS		HOLES: DRILLED OR PUNCHED ± 1/32						SCALE: 1:15	
		BURNED ± 1/32						WEIGHT: 403.50 lbs.	
								SHEET 1 OF 1	