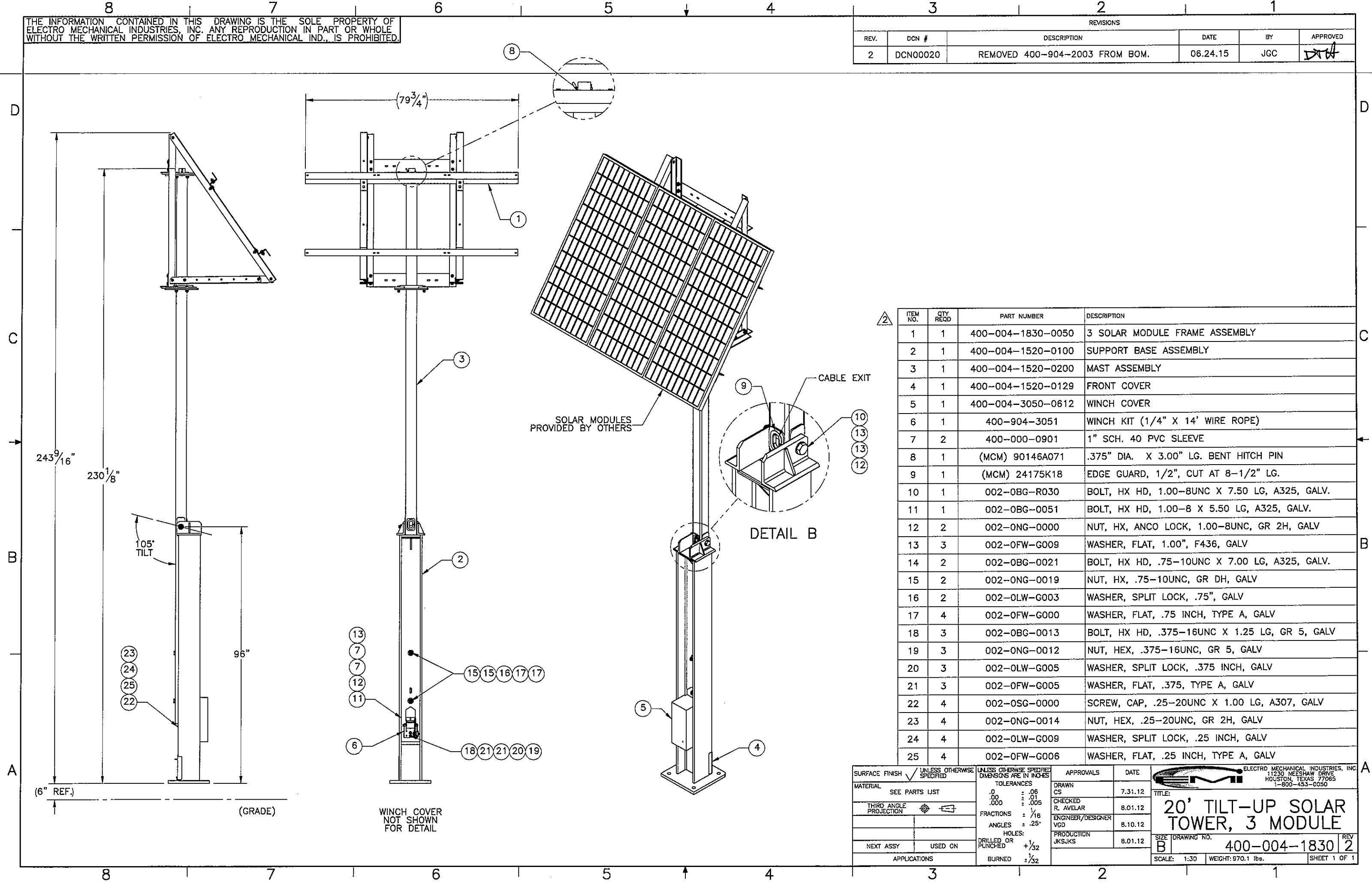


THE INFORMATION CONTAINED IN THIS DRAWING IS THE SOLE PROPERTY OF ELECTRO MECHANICAL INDUSTRIES, INC. ANY REPRODUCTION IN PART OR WHOLE WITHOUT THE WRITTEN PERMISSION OF ELECTRO MECHANICAL IND., IS PROHIBITED.

REVISIONS					
REV.	DCN #	DESCRIPTION	DATE	BY	APPROVED
2	DCN00020	REMOVED 400-904-2003 FROM BOM.	08.24.15	JGC	<i>[Signature]</i>



ITEM NO.	QTY REQD	PART NUMBER	DESCRIPTION
1	1	400-004-1830-0050	3 SOLAR MODULE FRAME ASSEMBLY
2	1	400-004-1520-0100	SUPPORT BASE ASSEMBLY
3	1	400-004-1520-0200	MAST ASSEMBLY
4	1	400-004-1520-0129	FRONT COVER
5	1	400-004-3050-0612	WINCH COVER
6	1	400-904-3051	WINCH KIT (1/4" X 14' WIRE ROPE)
7	2	400-000-0901	1" SCH. 40 PVC SLEEVE
8	1	(MCM) 90146A071	.375" DIA. X 3.00" LG. BENT HITCH PIN
9	1	(MCM) 24175K18	EDGE GUARD, 1/2", CUT AT 8-1/2" LG.
10	1	002-0BG-R030	BOLT, HX HD, 1.00-8UNC X 7.50 LG, A325, GALV.
11	1	002-0BG-0051	BOLT, HX HD, 1.00-8 X 5.50 LG, A325, GALV.
12	2	002-0NG-0000	NUT, HX, ANCO LOCK, 1.00-8UNC, GR 2H, GALV
13	3	002-0FW-G009	WASHER, FLAT, 1.00", F436, GALV
14	2	002-0BG-0021	BOLT, HX HD, .75-10UNC X 7.00 LG, A325, GALV.
15	2	002-0NG-0019	NUT, HX, .75-10UNC, GR DH, GALV
16	2	002-0LW-G003	WASHER, SPLIT LOCK, .75", GALV
17	4	002-0FW-G000	WASHER, FLAT, .75 INCH, TYPE A, GALV
18	3	002-0BG-0013	BOLT, HX HD, .375-16UNC X 1.25 LG, GR 5, GALV
19	3	002-0NG-0012	NUT, HEX, .375-16UNC, GR 5, GALV
20	3	002-0LW-G005	WASHER, SPLIT LOCK, .375 INCH, GALV
21	3	002-0FW-G005	WASHER, FLAT, .375, TYPE A, GALV
22	4	002-0SG-0000	SCREW, CAP, .25-20UNC X 1.00 LG, A307, GALV
23	4	002-0NG-0014	NUT, HEX, .25-20UNC, GR 2H, GALV
24	4	002-0LW-G009	WASHER, SPLIT LOCK, .25 INCH, GALV
25	4	002-0FW-G006	WASHER, FLAT, .25 INCH, TYPE A, GALV

SURFACE FINISH UNLESS OTHERWISE SPECIFIED		UNLESS OTHERWISE SPECIFIED DIMENSIONS ARE IN INCHES		APPROVALS		DATE	
MATERIAL SEE PARTS LIST		TOLERANCES		DRAWN CS		7.31.12	
THIRD ANGLE PROJECTION		.0 ± .06		CHECKED R. AVELAR		8.01.12	
NEXT ASSY USED ON		.000 ± .005		ENGINEER/DESIGNER VGD		8.10.12	
APPLICATIONS		FRACTIONS ± 1/16		PRODUCTION JKJSJKS		8.01.12	
		ANGLES ± .25°		TITLE:		20' TILT-UP SOLAR TOWER, 3 MODULE	
		HOLES: DRILLED OR PUNCHED ± 1/32		SIZE DRAWING NO.		B 400-004-1830	
		BURNED ± 1/32		REV		2	
				SCALE: 1:30		WEIGHT: 970.1 lbs.	
				SHEET 1 OF 1			

