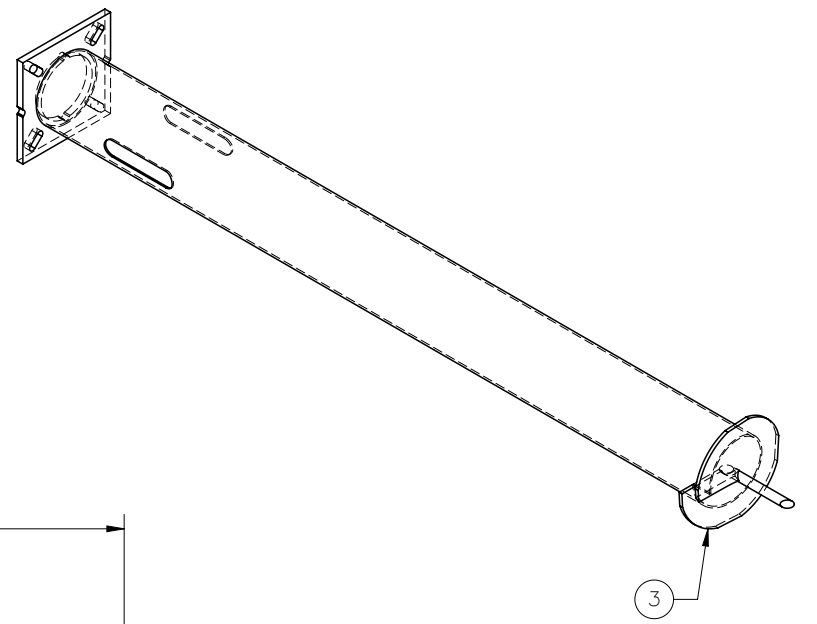
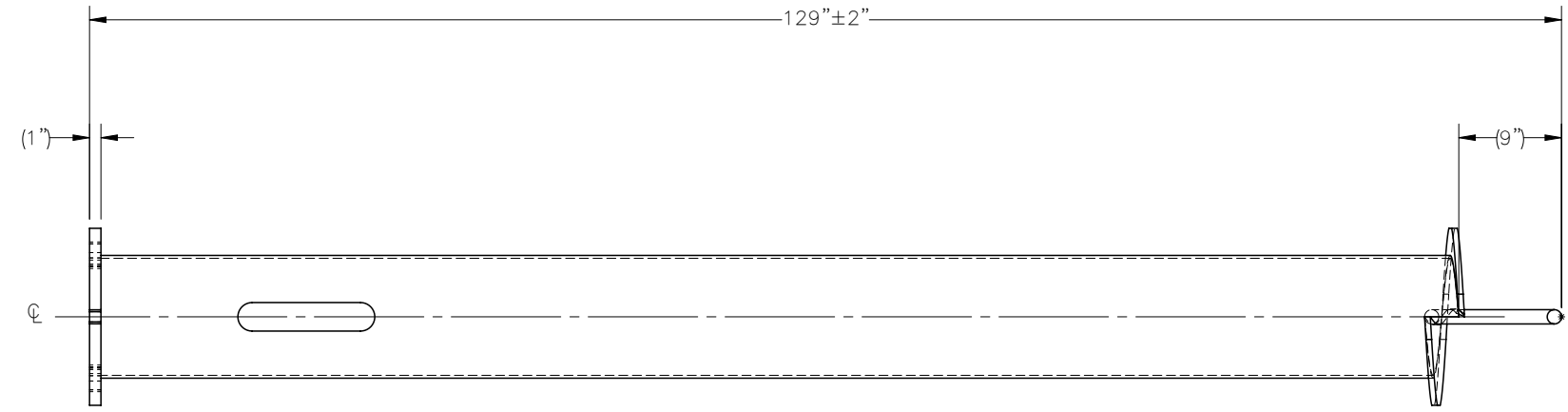
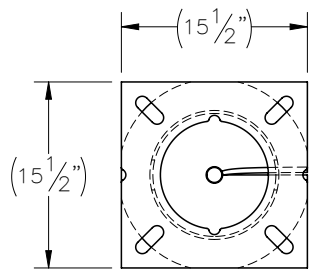

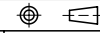


THE INFORMATION CONTAINED IN THIS DRAWING IS THE SOLE PROPERTY OF ELECTRO MECHANICAL INDUSTRIES, INC. ANY REPRODUCTION IN PART OR WHOLE WITHOUT THE WRITTEN PERMISSION OF ELECTRO MECHANICAL IND., IS PROHIBITED.



SURFACE FINISH <input checked="" type="checkbox"/> UNLESS OTHERWISE SPECIFIED		UNLESS OTHERWISE SPECIFIED DIMENSIONS ARE IN INCHES		APPROVALS	DATE	 ELECTRO MECHANICAL INDUSTRIES, INC. 11230 NEESEHAW DRIVE HOUSTON, TEXAS 77065 1-800-453-0050
MATERIAL SEE PARTS LIST		TOLERANCES		DRAWN D. HUGHES	8/4/2015	
THIRD ANGLE PROJECTION 		.0 ± .06 .00 ± .015 .000 ± .005		CHECKER T. PETERS	8/5/2015	TITLE: <b>10" X 10', 1" BASE, 1" HDW. - HELICAL PIER</b>
NEXT ASSY USED ON		FRACTIONS ± 1/16 ANGLES ± .25°		ENGINEER D. HUGHES	8/5/2015	
APPLICATIONS		HOLES: DRILLED OR PUNCHED ± 1/32 BURNED ± 1/32		PRODUCTION J. CRAIG	8/5/2015	SIZE <b>B</b> DRAWING NO. <b>400-000-1001</b> REV <b>8</b>
				SCALE: 1:16 WEIGHT: 3.47 lbs.		SHEET 1 OF 1