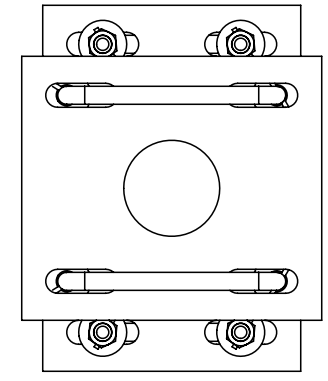
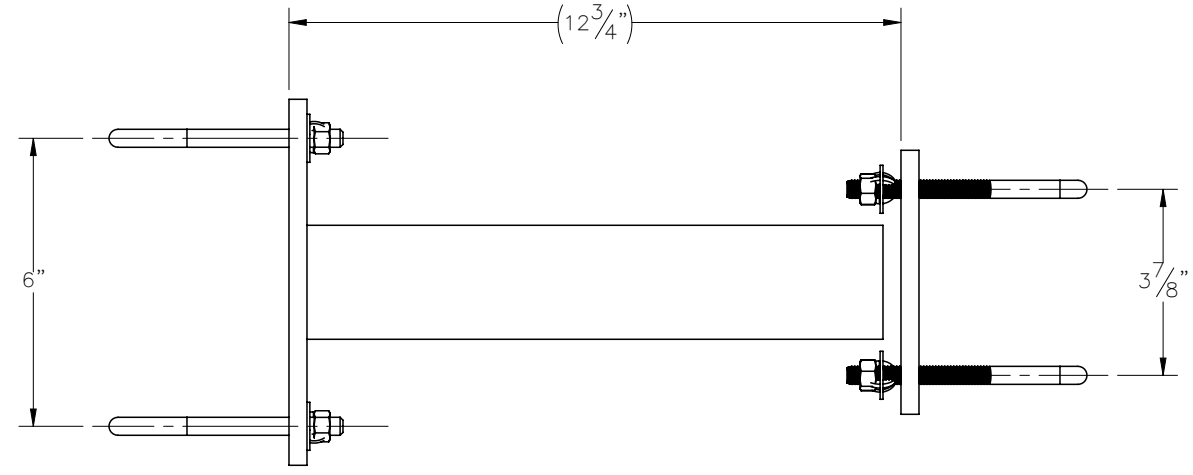
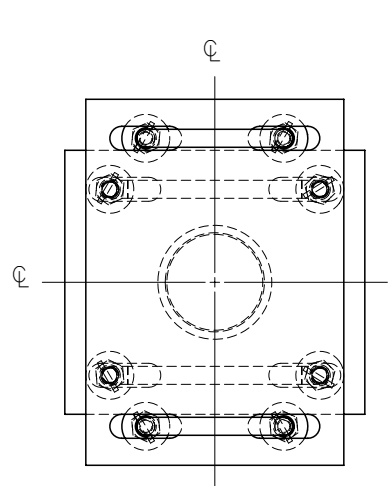
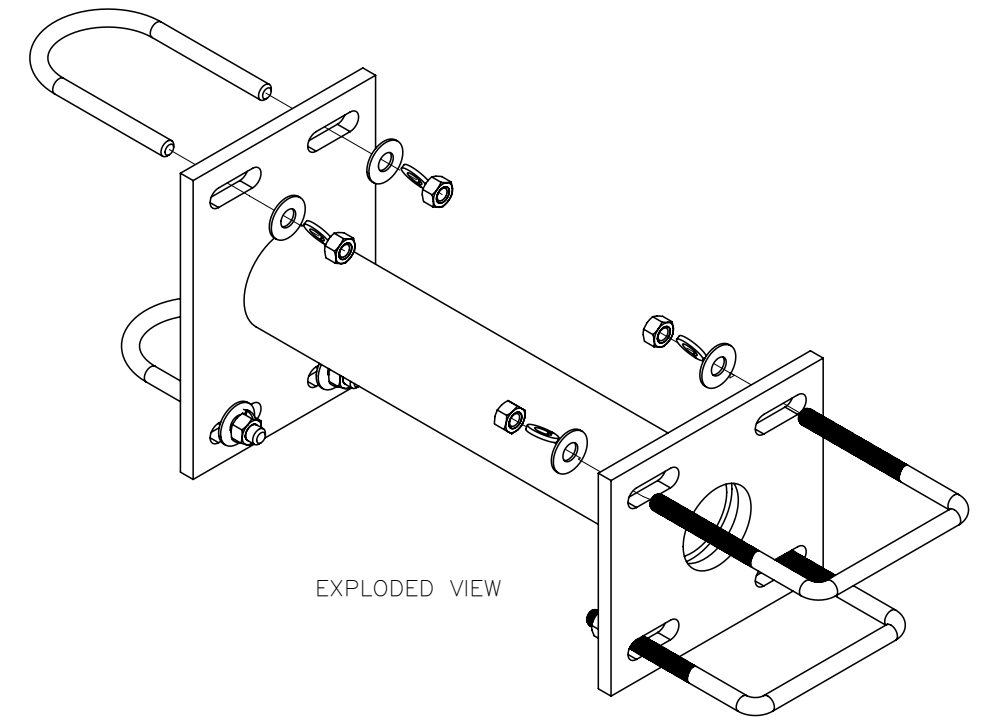

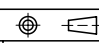


THE INFORMATION CONTAINED IN THIS DRAWING IS THE SOLE PROPERTY OF ELECTRO MECHANICAL INDUSTRIES, INC. ANY REPRODUCTION IN PART OR WHOLE WITHOUT THE WRITTEN PERMISSION OF ELECTRO MECHANICAL IND., IS PROHIBITED.



SURFACE FINISH <input checked="" type="checkbox"/> UNLESS OTHERWISE SPECIFIED		UNLESS OTHERWISE SPECIFIED DIMENSIONS ARE IN INCHES		APPROVALS		DATE		 ELECTRO MECHANICAL INDUSTRIES, INC. 11230 NEESESHAW DRIVE HOUSTON, TEXAS 77065 1-800-453-0050	
MATERIAL SEE PARTS LIST		TOLERANCES		DRAWN J. CRITELLI		7.13.16			
THIRD ANGLE PROJECTION 		.0 ± .06 .00 ± .01 .000 ± .005		CHECKED				SIZE B	
NEXT ASSY		FRACTIONS ± 1/16		ENGINEER/DESIGNER				DRAWING NO. 1015-0000-0024	
USED ON		ANGLES ± .25°		PRODUCTION				REV -	
APPLICATIONS		HOLES: DRILLED OR PUNCHED ± 1/32						SCALE: 1:4	
		BURNED ± 1/32						WEIGHT: 8.9 lbs.	
								SHEET 1 OF 1	