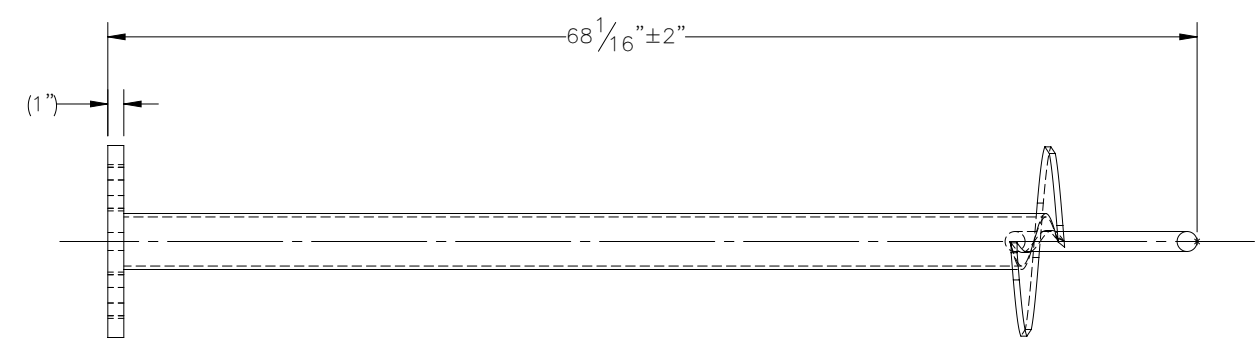
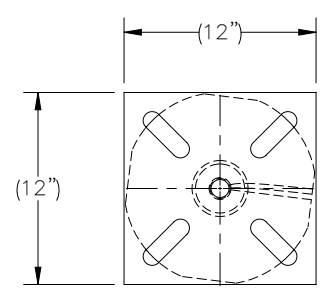
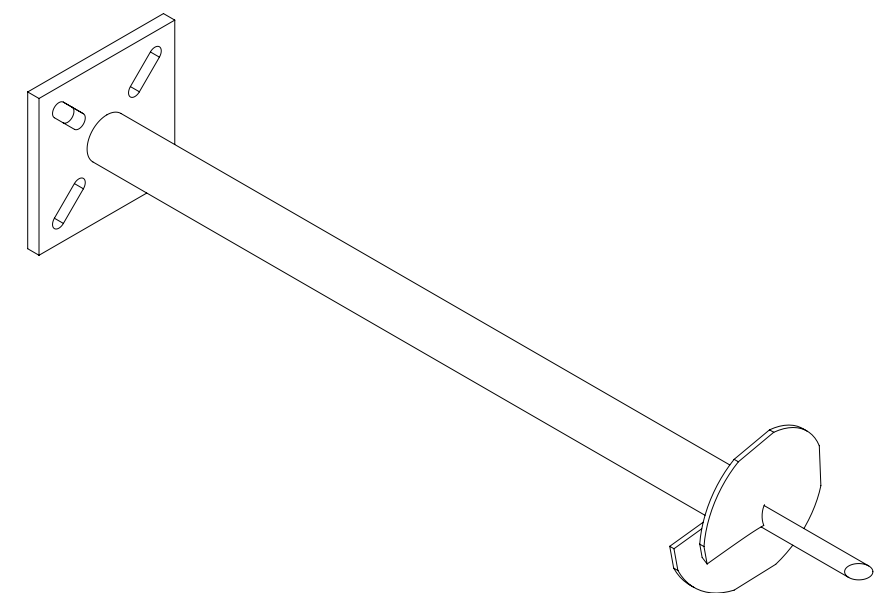

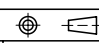


THE INFORMATION CONTAINED IN THIS DRAWING IS THE SOLE PROPERTY OF ELECTRO MECHANICAL INDUSTRIES, INC. ANY REPRODUCTION IN PART OR WHOLE WITHOUT THE WRITTEN PERMISSION OF ELECTRO MECHANICAL IND., IS PROHIBITED.



SURFACE FINISH <input checked="" type="checkbox"/> UNLESS OTHERWISE SPECIFIED		UNLESS OTHERWISE SPECIFIED DIMENSIONS ARE IN INCHES		APPROVALS		DATE		 ELECTRO MECHANICAL INDUSTRIES, INC. 11230 NEESEHAW DRIVE HOUSTON, TEXAS 77065 1-800-453-0050	
MATERIAL SEE PARTS LIST		TOLERANCES .0 ± .06 .00 ± .015 .000 ± .005		DRAWN F. BAYEH		10/31/2023		TITLE: 3" X 5' HELICAL, 1" BASE, NO HDW	
THIRD ANGLE PROJECTION 		FRACTIONS ± 1/16		CHECKER J. Breen		10/31/2023		SIZE B	
NEXT ASSY		ANGLES ± .25°		ENGINEER J. Breen		10/31/2023		DRAWING NO. 1008-0050-0052	
USED ON		HOLES: DRILLED OR PUNCHED ± 1/32		PRODUCTION J. KERNER		10/31/2023		REV 0	
APPLICATIONS		BURNED ± 1/32						SCALE: 1:12 WEIGHT: 87.3 lbs. SHEET 1 OF 1	