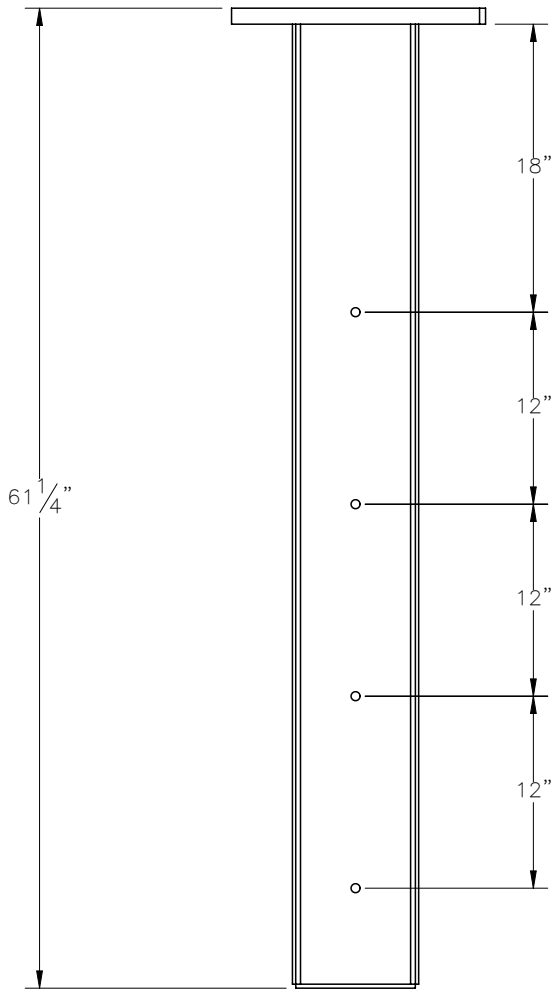
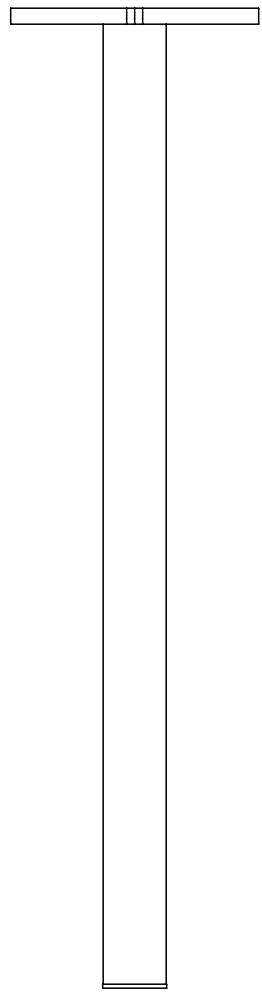
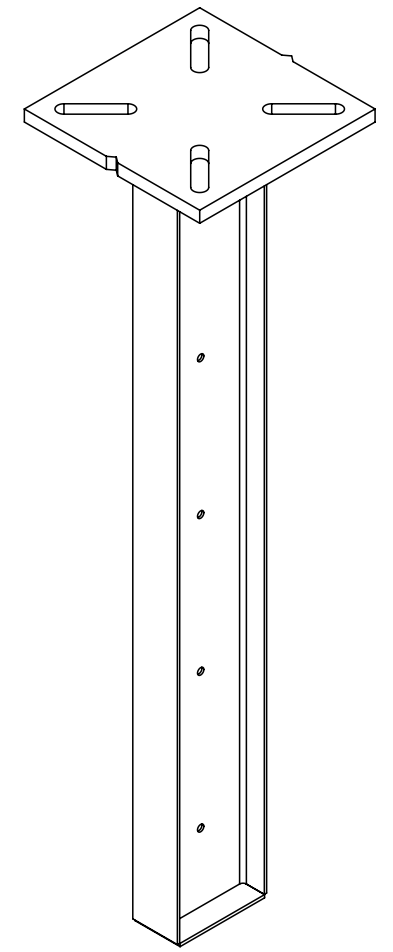
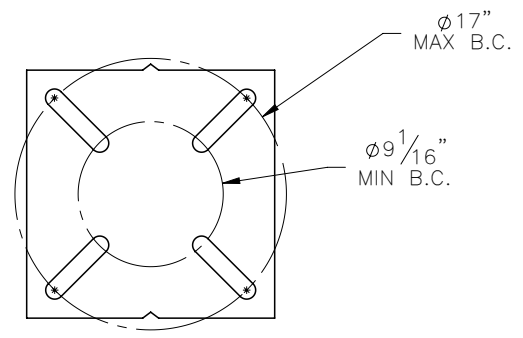

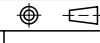


THE INFORMATION CONTAINED IN THIS DRAWING IS THE SOLE PROPERTY OF ELECTRO MECHANICAL INDUSTRIES, INC. ANY REPRODUCTION IN PART OR WHOLE WITHOUT THE WRITTEN PERMISSION OF ELECTRO MECHANICAL IND., IS PROHIBITED.

SALES



SURFACE FINISH <input checked="" type="checkbox"/> UNLESS OTHERWISE SPECIFIED		UNLESS OTHERWISE SPECIFIED DIMENSIONS ARE IN INCHES		APPROVALS	DATE	 ELECTRO MECHANICAL INDUSTRIES, INC. 11230 NEESEHAW DRIVE HOUSTON, TEXAS 77065 1-800-453-0050
MATERIAL SEE PARTS LIST		TOLERANCES		DRAWN JBreen	2018-12-07	
THIRD ANGLE PROJECTION 		.0 \pm .06		CHECKED		TITLE: BEAM FOUNDATION FOR CONCRETE
NEXT ASSY		FRACTIONS \pm 1/16		ENGINEER/DESIGNER		SIZE DRAWING NO. B 1008-0010-0006 SALES
USED ON		ANGLES \pm .25°		PRODUCTION		REV —
APPLICATIONS		HOLES: DRILLED OR PUNCHED $+1/32$				SCALE: 1:12 WEIGHT: 64 lbs. SHEET 1 OF 1
		BURNED $\pm 1/32$				