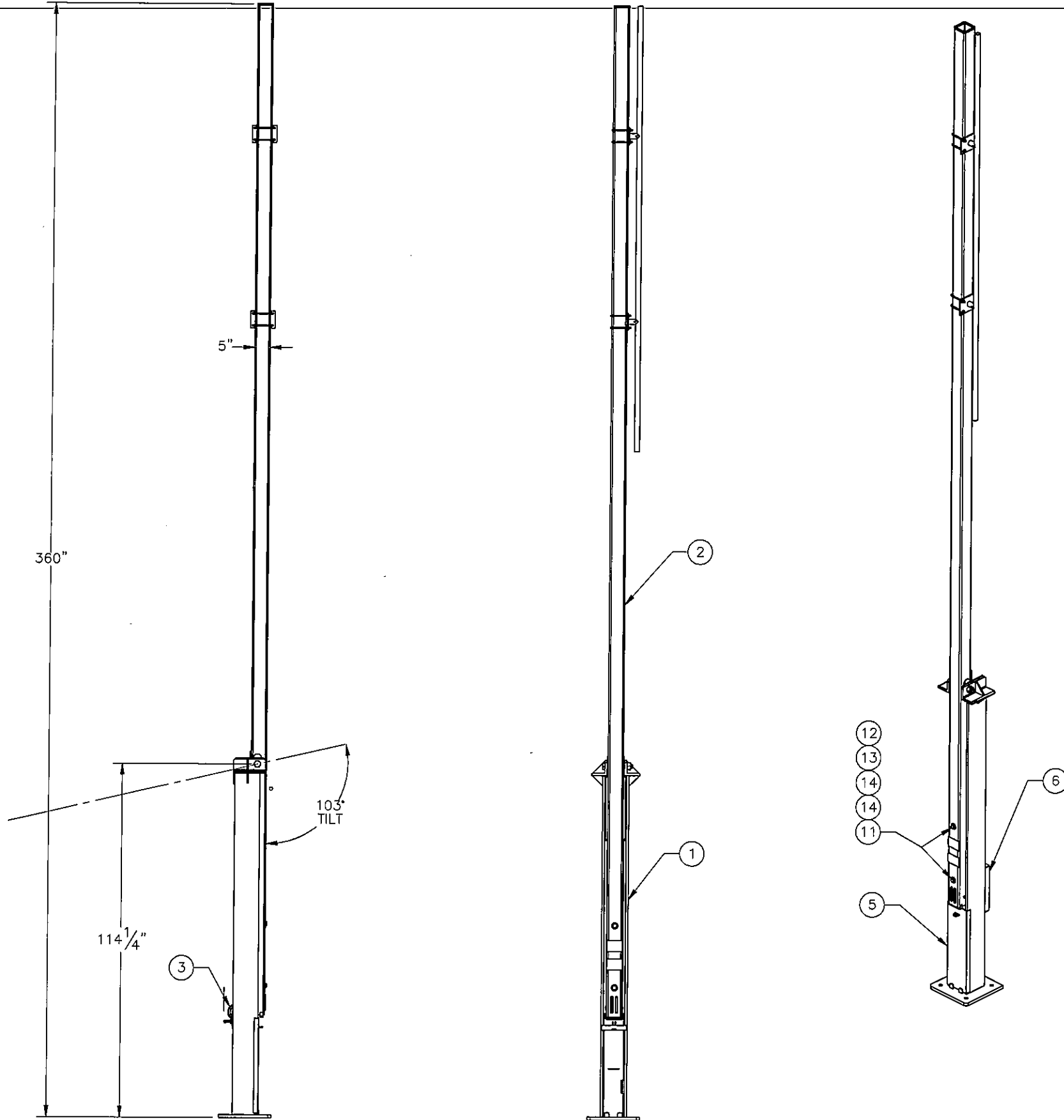



THE INFORMATION CONTAINED IN THIS DRAWING IS THE SOLE PROPERTY OF ELECTRO MECHANICAL INDUSTRIES, INC. ANY REPRODUCTION IN PART OR WHOLE WITHOUT THE WRITTEN PERMISSION OF ELECTRO MECHANICAL IND., IS PROHIBITED.

PATENT #: 8,910,432

REVISIONS					
REV.	DCN #	DESCRIPTION	DATE	BY	APPROVED
4	00869	UPDATED PART NUMBERS AND ADDED SAFETY DECALS	2020.06.25	BLH	JPB



ITEM NO.	QTY	PART NUMBER	DESCRIPTION	LENGTH	WEIGHT
1	1	W-000-420	SUPPORT BASE ASSEMBLY		576.0
2	1	W-000-418	MAST ASSEMBLY		429.93
3	1	1002-0050-0003	WINCH KIT (1/4" X 14' WIRE ROPE)		8.7
4	1	1002-0050-0015	ANTENNA MOUNT ASS'Y, 1.5" DIA. X 12'		39.2
5	1	P-001-215	FRONT COVER		7.83
6	1	400-004-3050-0612	WINCH COVER		8.7
7	1	400-004-3054-0071	.875" DIA. X 5.75" LG. PIN		0.956
8	2	002-00C-0043	COTTER PIN, 3/16" DIA. X 1-1/2" LG., GALV		0.002
9	1	002-0BG-0032	BOLT, HX HD, 1.25-7UNC X 9.00 LG, A325, GALV		3.81
10	1	002-0NG-0020	NUT, HX, ANCO LOCKNUT, 1.25-7UNC, GR 2H, GALV		0.79
11	2	002-0BG-0007	BOLT, HX HD, .75-10UNC X 8.00 LG, A325, GALV		1.16
12	2	002-0NG-0002	NUT, HX, .75-10UNC, GR 2H, GALV		0.19
13	2	002-0LW-G003	WASHER, SPLIT LOCK, .75", GALV		0.04
14	4	002-0FW-G000	WASHER, FLAT, .75 INCH, USS, GALV		0.09
15	1	309-000-0001-08	EDGE GUARD, 3/16", 8" LG.	8"	0.0
16	1	309-000-0003-17	EDGE GUARD, 1/4", 17" LG.	17"	0.1
17	2	999-999-L001	3.5" x 5" DO NOT CLIMB DECAL		0.0
18	2	999-999-L002	3.5" x 5" PINCH POINT DECAL		0.0
19	1	999-999-L003	3.5" x 5" WINCH RATING DECAL		0.0

SURFACE FINISH UNLESS OTHERWISE SPECIFIED		UNLESS OTHERWISE SPECIFIED DIMENSIONS ARE IN INCHES		APPROVALS		DATE	 ELECTRO MECHANICAL INDUSTRIES, INC. 11230 NEEDSHAW DRIVE HOUSTON, TEXAS 77065 1-800-453-0050
MATERIAL SEE PARTS LIST		TOLERANCES		DRAWN J. CRITELLI		1.30.17	
THIRD ANGLE PROJECTION		FRACTIONS ± 1/16		CHECKED C.S.		02.13.17	
NEXT ASSY USED ON		ANGLES ± .25°		ENGINEER/DESIGNER J.D.		02.13.17	
APPLICATIONS		HOLES: DRILLED OR PUNCHED ± 1/32		PRODUCTION JOHN		02.14.17	TITLE: <b>30' TILT -UP TOWER (115 MPH)</b>
		BURNED ± 1/64		SIZE B		DRAWING NO. 1002-0030-0019	REV 4

