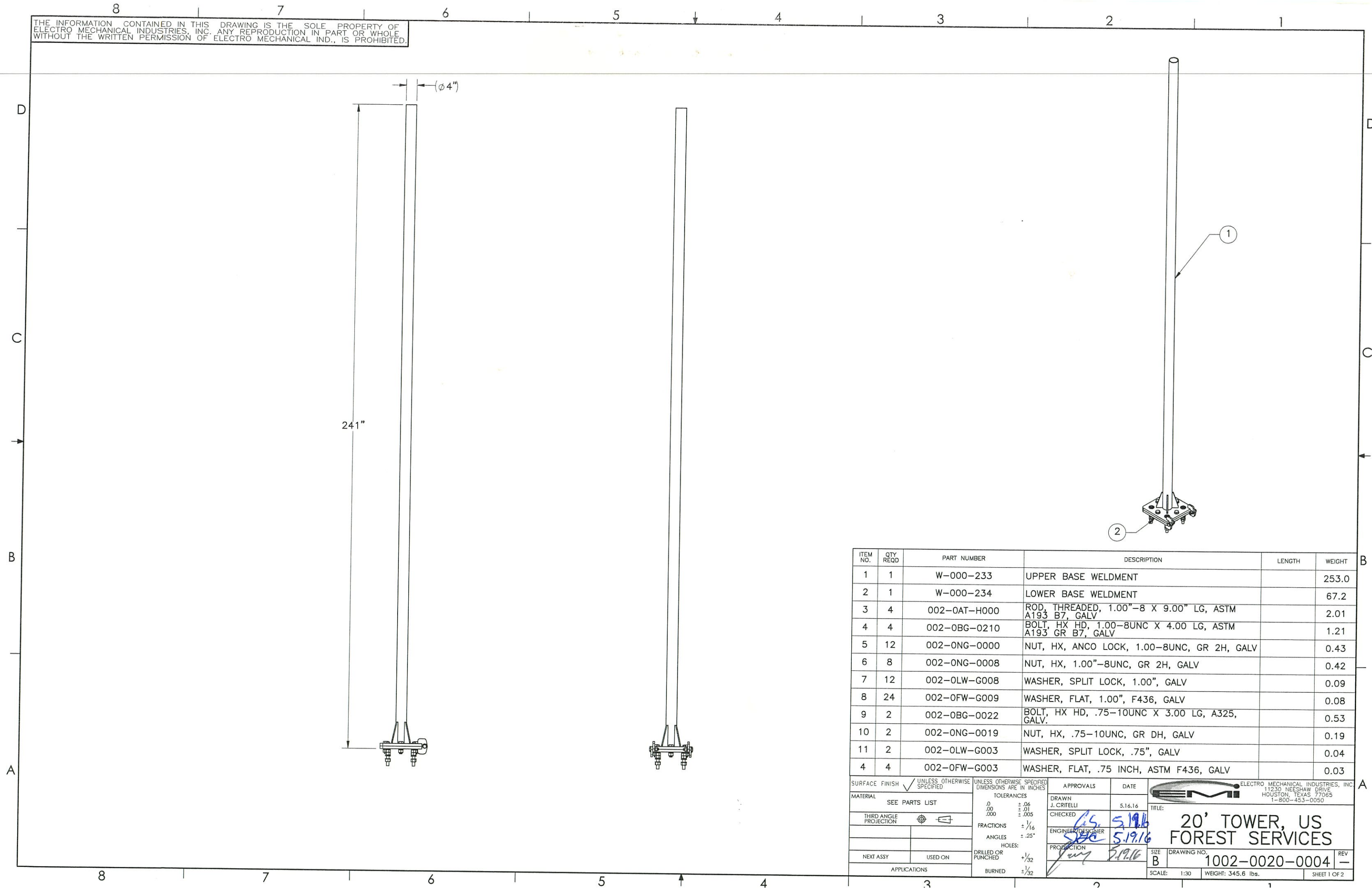

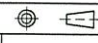
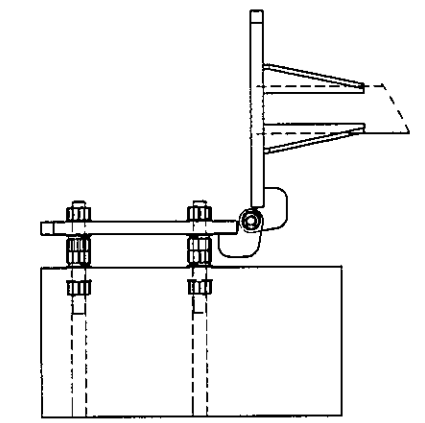
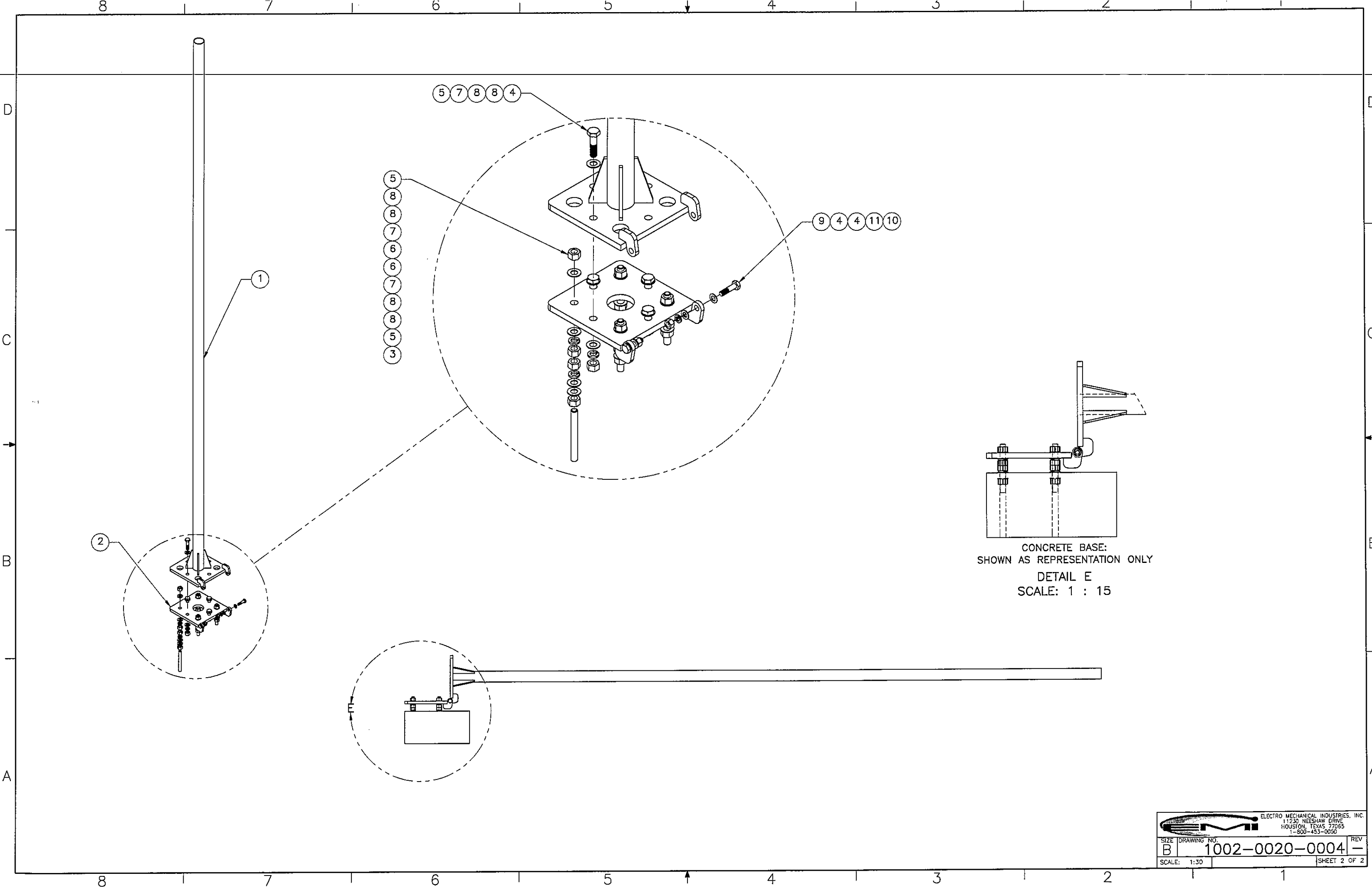


THE INFORMATION CONTAINED IN THIS DRAWING IS THE SOLE PROPERTY OF ELECTRO MECHANICAL INDUSTRIES, INC. ANY REPRODUCTION IN PART OR WHOLE WITHOUT THE WRITTEN PERMISSION OF ELECTRO MECHANICAL IND., IS PROHIBITED.



ITEM NO.	QTY REQD	PART NUMBER	DESCRIPTION	LENGTH	WEIGHT
1	1	W-000-233	UPPER BASE WELDMENT		253.0
2	1	W-000-234	LOWER BASE WELDMENT		67.2
3	4	002-0AT-H000	ROD, THREADED, 1.00"-8 X 9.00" LG, ASTM A193 B7, GALV		2.01
4	4	002-0BG-0210	BOLT, HX HD, 1.00-8UNC X 4.00 LG, ASTM A193 GR B7, GALV		1.21
5	12	002-0NG-0000	NUT, HX, ANCO LOCK, 1.00-8UNC, GR 2H, GALV		0.43
6	8	002-0NG-0008	NUT, HX, 1.00"-8UNC, GR 2H, GALV		0.42
7	12	002-0LW-G008	WASHER, SPLIT LOCK, 1.00", GALV		0.09
8	24	002-0FW-G009	WASHER, FLAT, 1.00", F436, GALV		0.08
9	2	002-0BG-0022	BOLT, HX HD, .75-10UNC X 3.00 LG, A325, GALV.		0.53
10	2	002-0NG-0019	NUT, HX, .75-10UNC, GR DH, GALV		0.19
11	2	002-0LW-G003	WASHER, SPLIT LOCK, .75", GALV		0.04
4	4	002-0FW-G003	WASHER, FLAT, .75 INCH, ASTM F436, GALV		0.03

SURFACE FINISH <input checked="" type="checkbox"/> UNLESS OTHERWISE SPECIFIED		UNLESS OTHERWISE SPECIFIED DIMENSIONS ARE IN INCHES		APPROVALS	DATE	 ELECTRO MECHANICAL INDUSTRIES, INC. 11230 NEESHAW DRIVE HOUSTON, TEXAS 77065 1-800-453-0050
MATERIAL	SEE PARTS LIST	TOLERANCES		DRAWN	5.16.16	
THIRD ANGLE PROJECTION		.00 ± .06 .000 ± .01 ± .005		CHECKED	5.19.16	TITLE: 20' TOWER, US FOREST SERVICES
NEXT ASSY	USED ON	FRACTIONS ± 1/16 ANGLES ± .25° HOLES:		ENGINEER/DESIGNER	5.19.16	
APPLICATIONS		DRILLED OR PUNCHED +1/32 BURNED ± 1/32		PRODUCTION	5.19.16	SIZE B DRAWING NO. 1002-0020-0004 SCALE: 1:30 WEIGHT: 345.6 lbs. SHEET 1 OF 2



CONCRETE BASE:
SHOWN AS REPRESENTATION ONLY
DETAIL E
SCALE: 1 : 15