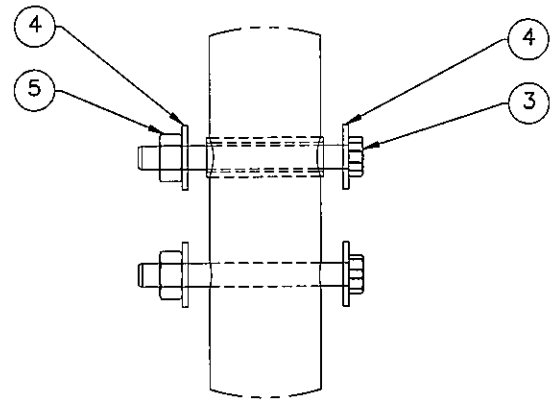
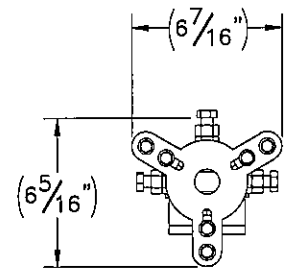
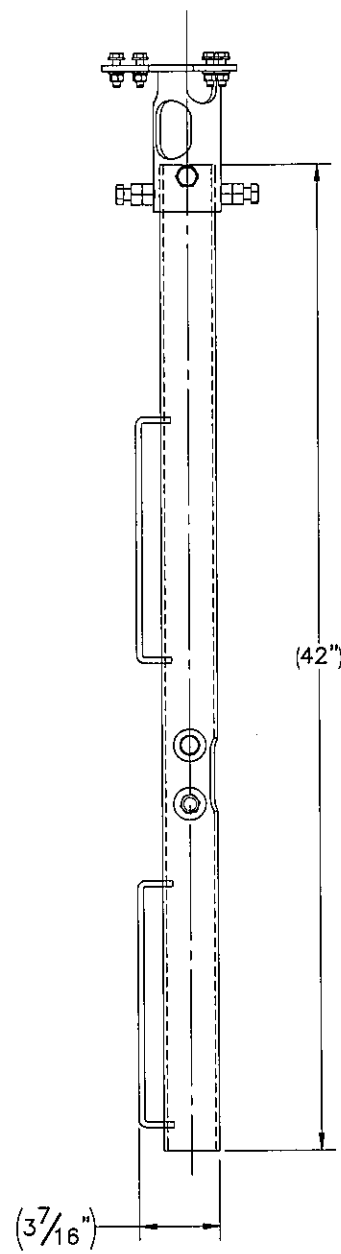
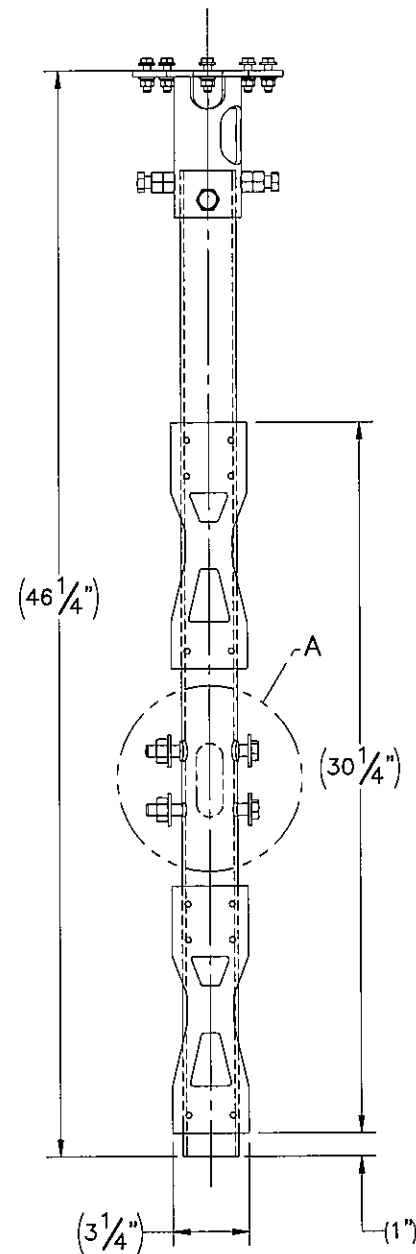


THE INFORMATION CONTAINED IN THIS DRAWING IS THE SOLE PROPERTY OF ELECTRO MECHANICAL INDUSTRIES, INC. ANY REPRODUCTION IN PART OR WHOLE WITHOUT THE WRITTEN PERMISSION OF ELECTRO MECHANICAL IND., IS PROHIBITED.

REVISIONS				
REV.	DCN #	DESCRIPTION	DATE	APPROVED
2	DCN00618	UPDATE PER CUSTOMER REQUEST	02.20.2019	RLWJr <i>JPB</i>

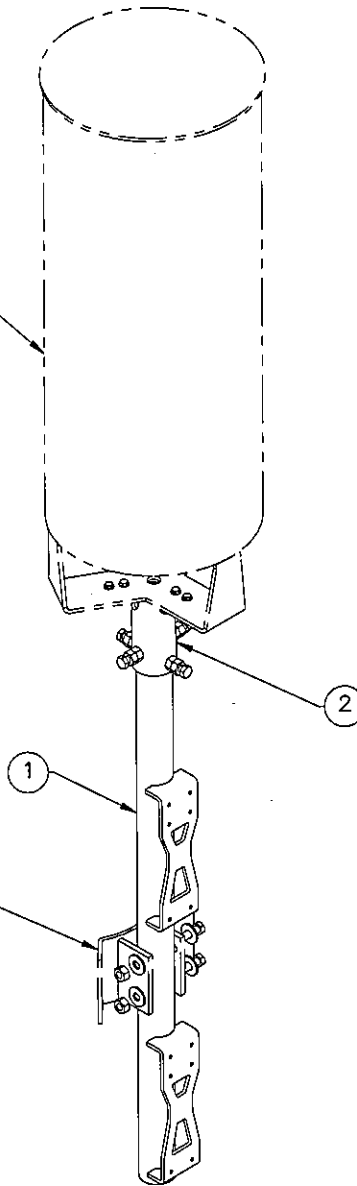


DETAIL A  
SCALE: 1 : 4


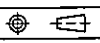


SHOWN FOR REFERENCE ONLY

SHOWN FOR REFERENCE ONLY  
REFERENCE 1000-0020-0017



ITEM NO.	QTY REQD	PART NUMBER	DESCRIPTION	LENGTH	WEIGHT
1	1	W-001-032	LONG CPE POLE MOUNT		17.2
2	1	1000-0020-0022	2" MAST ANTENNA MOUNT KIT		4.65
3	2	002-0BG-0011	BOLT, .500-13UNC X 4.5" LG, ASTM A325, GALV.		0.29
4	4	002-0FW-G020	WASHER, FLAT, .500", USS, GALV		0.04
5	2	002-0NG-0010	NUT, HEX, .500-13UNC, GR 2H, GALV		0.06

SURFACE FINISH <input checked="" type="checkbox"/> UNLESS OTHERWISE SPECIFIED		UNLESS OTHERWISE SPECIFIED DIMENSIONS ARE IN INCHES		APPROVALS		DATE		 ELECTRO MECHANICAL INDUSTRIES, INC. 11230 NEESHAW DRIVE HOUSTON, TEXAS 77065 1-800-453-0050	
MATERIAL SEE PARTS LIST		TOLERANCES		DRAWN P. GUTIERREZ		10.01.18			
THIRD ANGLE PROJECTION 		FRACTIONS ± 1/16		CHECKED J. BUSHMAN		10.02.18		TITLE: <b>CPE POLE MOUNT                  OPTION 2 ASSEMBLY</b>	
NEXT ASSY USED ON		ANGLES ± .25°		ENGINEER/DESIGNER J. BUSHMAN		10.02.18			
APPLICATIONS		HOLES: DRILLED OR PUNCHED ± 1/32		PRODUCTION J. SUNDERLAND		10.02.18		SIZE B DRAWING NO. 1000-0020-0025 REV 2 SCALE: 1:8 WEIGHT: 23 lbs. SHEET 1 OF 1	
		BURNED ± 1/32							