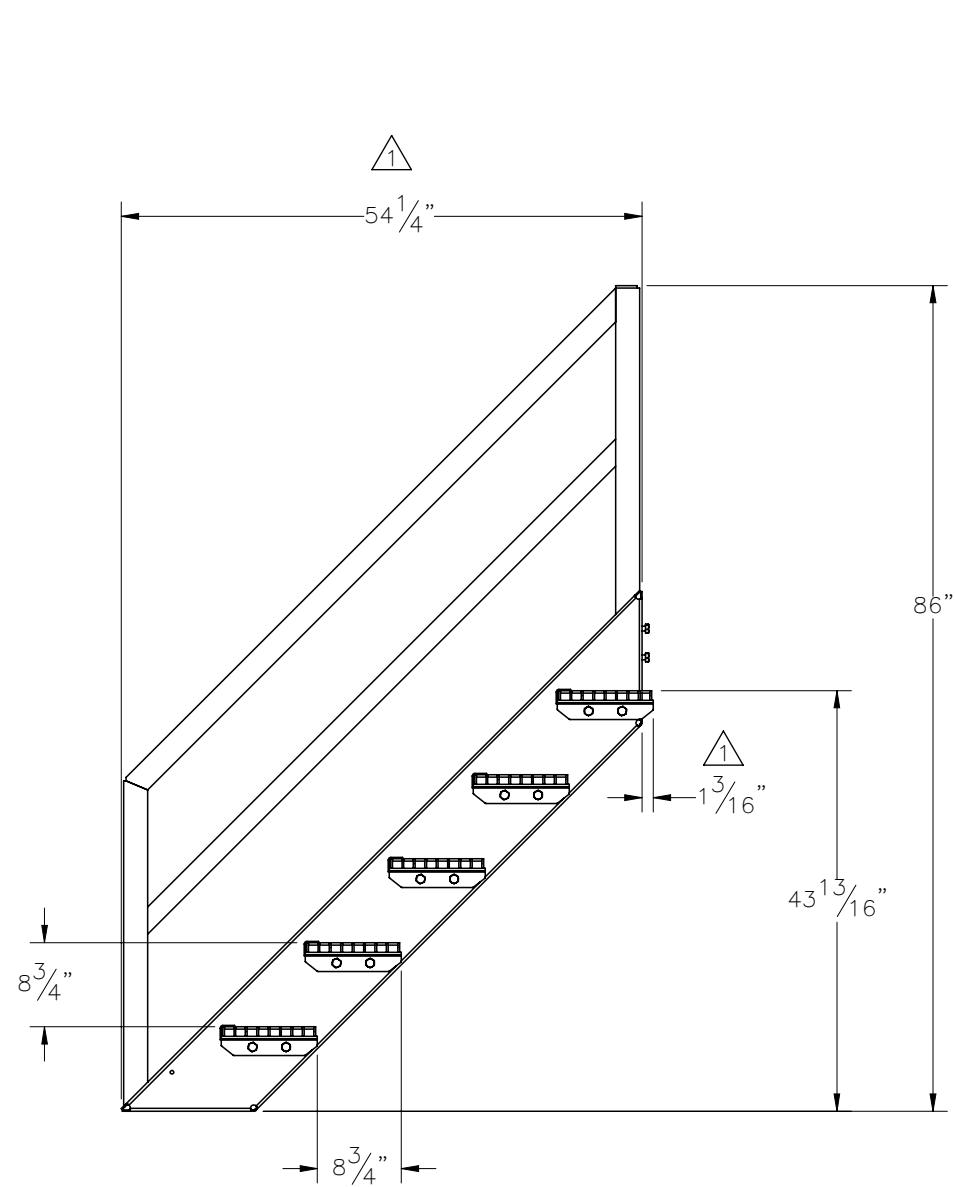
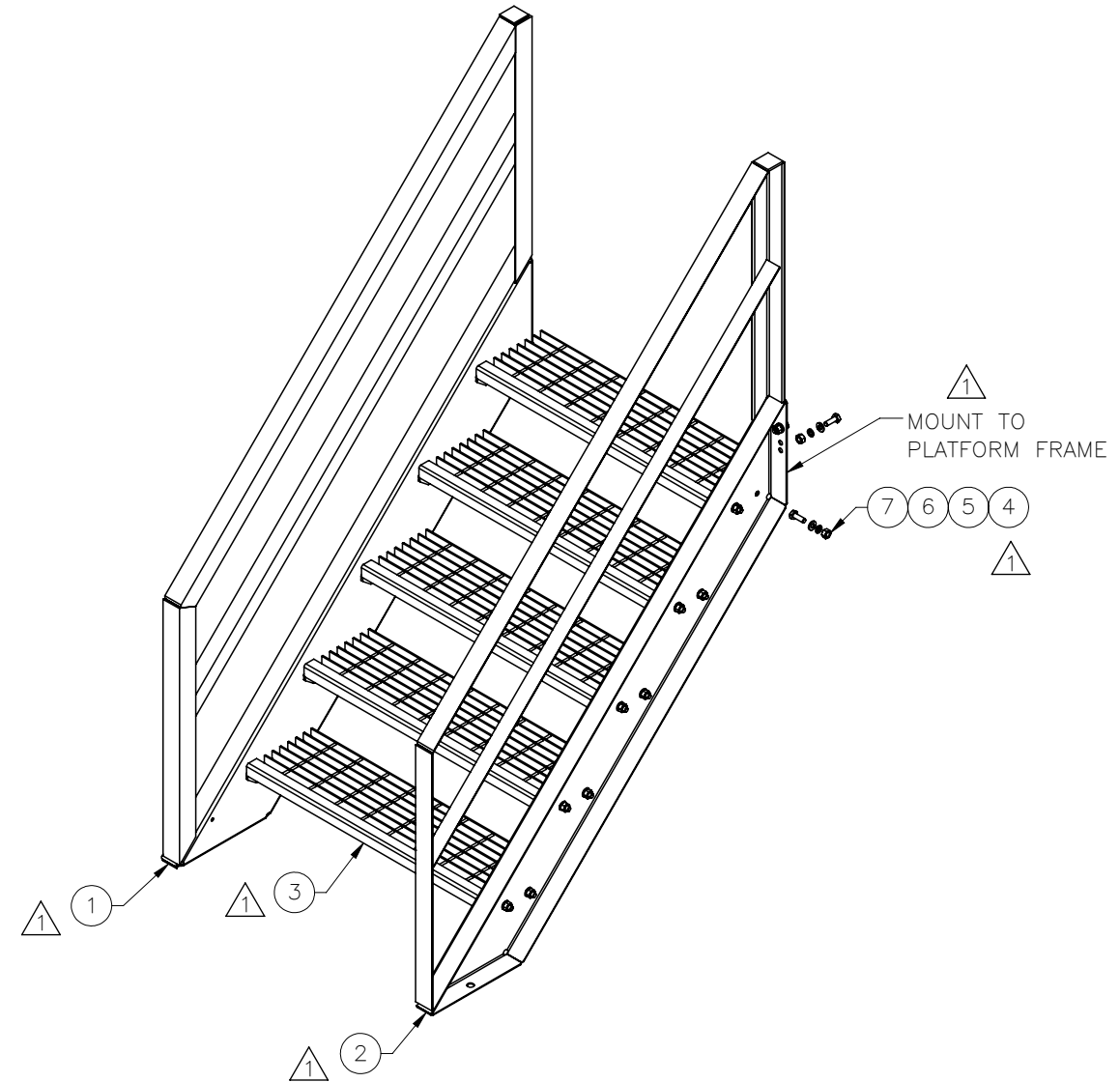
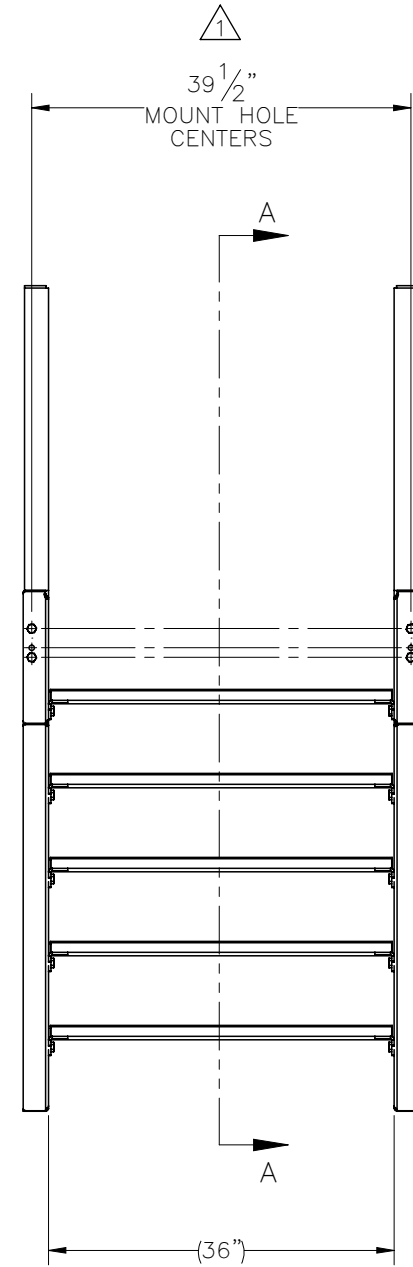


THE INFORMATION CONTAINED IN THIS DRAWING IS THE SOLE PROPERTY OF ELECTRO MECHANICAL INDUSTRIES, INC. ANY REPRODUCTION IN PART OR WHOLE WITHOUT THE WRITTEN PERMISSION OF ELECTRO MECHANICAL IND., IS PROHIBITED.

REVISIONS					
REV.	DCN #	DESCRIPTION	DATE	BY	APPROVED
1	01092	002-0BG-0026 TO 002-0BG-0010, W-001-987 AND W-001-988 UPDATED TO CONSOLIDATE WELDS, DIM'S ADDED	11-16-21	JTR	JPB



SECTION A-A



ITEM NO.	QTY	PART NUMBER	DESCRIPTION	LENGTH	WEIGHT
1	1	W-001-987	LEFT SIDE STAIR WELDMENT	98 11/16"	105.80
2	1	W-001-988	RIGHT SIDE STAIR WELDMENT	98 11/16"	105.80
3	5	W-001-873	36" WD STAIR TREAD WELDMENT	36	26.16
4	24	002-0BG-0010	HHB, .500-13 X 1.50 LG., PT X 1.00, A325, HDG	1.50	0.14
5	24	002-0FW-G002	FW, .50, F436, HDG		0.02
6	24	002-0LW-G002	WASHER, SPLIT LOCK, .500", GALV		0.01
7	24	002-0NG-0010	NUT, HEX, .500-13UNC, GR 2H, GALV		0.06

SURFACE FINISH <input checked="" type="checkbox"/> UNLESS OTHERWISE SPECIFIED		UNLESS OTHERWISE SPECIFIED DIMENSIONS ARE IN INCHES		APPROVALS		DATE		ELECTRO MECHANICAL INDUSTRIES, INC. 11230 NEESESHAW DRIVE HOUSTON, TEXAS 77065 1-800-453-0050	
MATERIAL SEE PARTS LIST		TOLERANCES		DRAWN P. GUTIERREZ		10/26/2020			
THIRD ANGLE PROJECTION		FRACTIONS ± 1/16		CHECKER J. BREEN		10/26/2020		TITLE: 5 TREAD STAIR ASS'Y (36" WIDE)	
NEXT ASSY		ANGLES ± .25°		ENGINEER J. BREEN		10/26/2020			
USED ON		HOLES: DRILLED OR PUNCHED ± 1/32		PRODUCTION J.K.S.		10/26/2020		SIZE B DRAWING NO. 450-000-0132 REV 1	
APPLICATIONS		BURNED ± 1/32		SCALE: 1:20		WEIGHT: 348 lbs.		SHEET 1 OF 1	