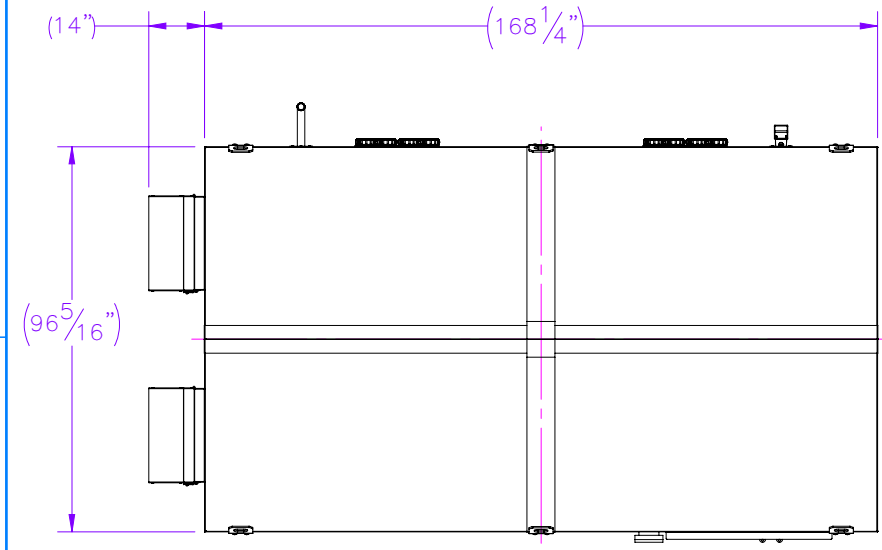
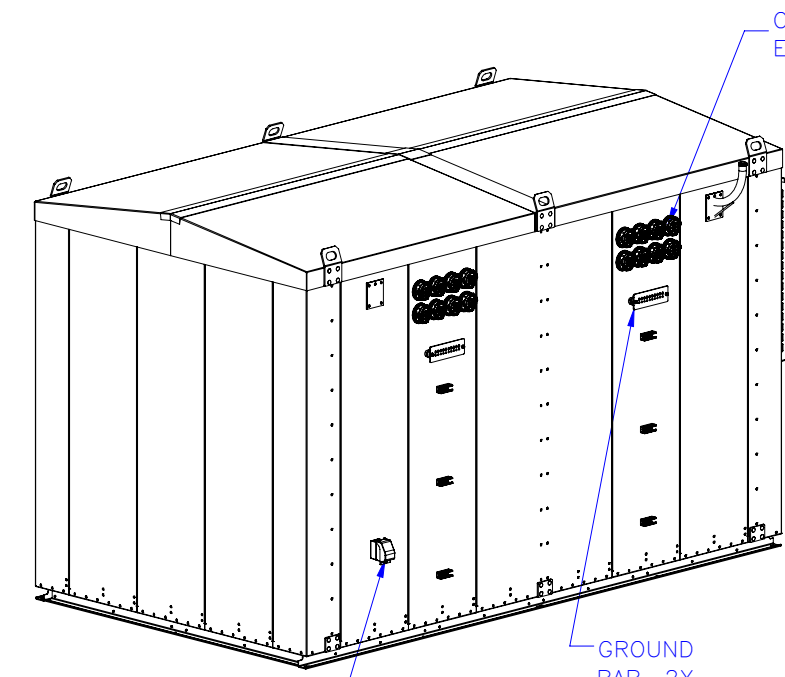


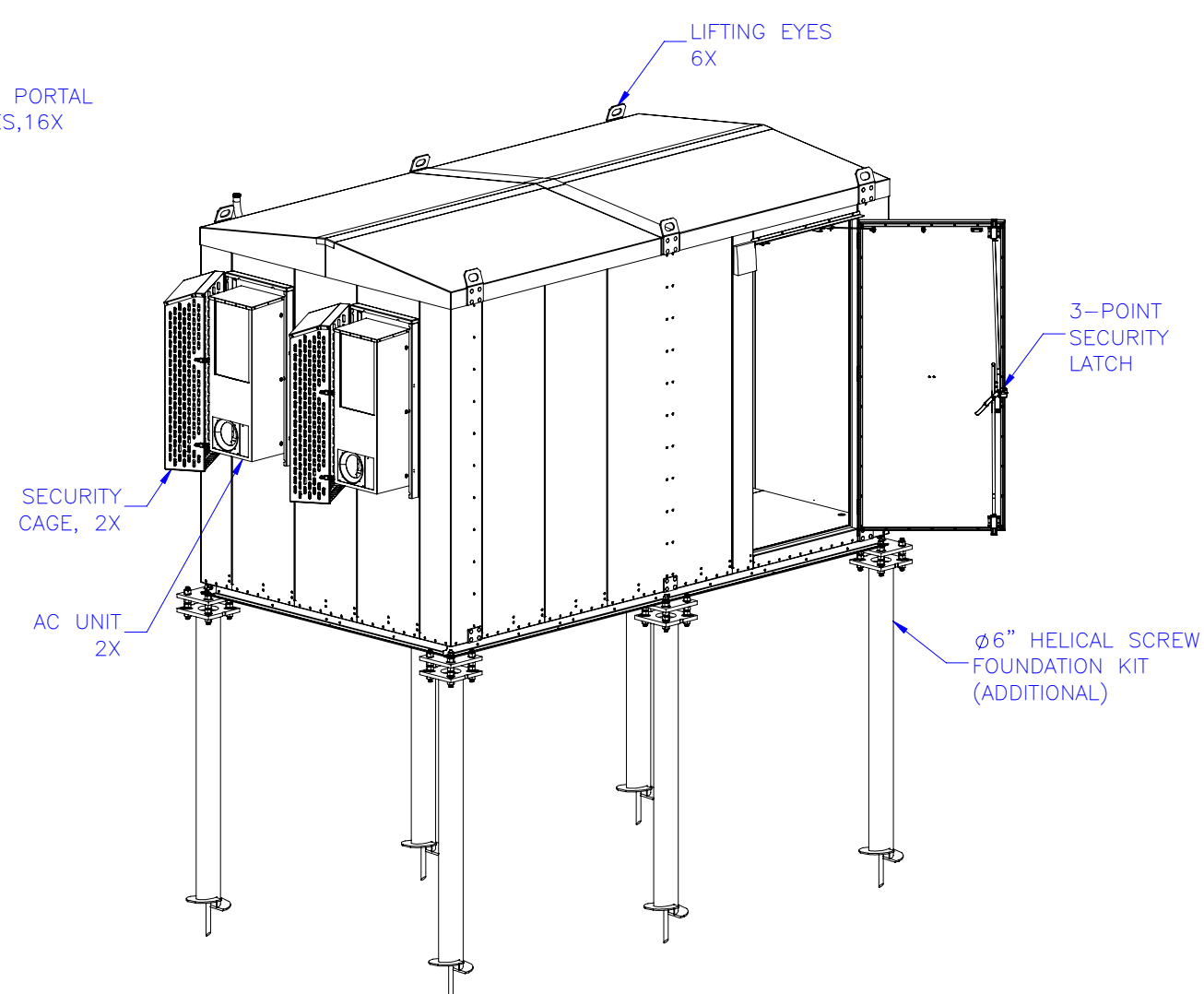
THE INFORMATION CONTAINED IN THIS DRAWING IS THE SOLE PROPERTY OF ELECTRO MECHANICAL INDUSTRIES, INC. ANY REPRODUCTION IN PART OR WHOLE WITHOUT THE WRITTEN PERMISSION OF ELECTRO MECHANICAL IND., IS PROHIBITED.



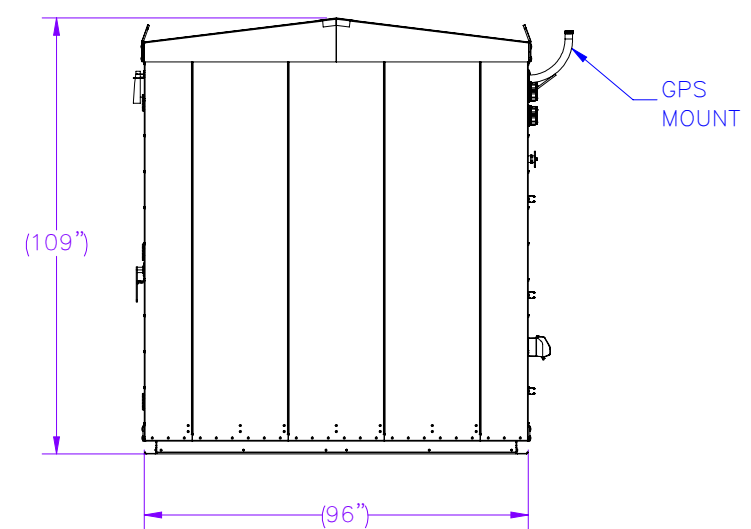
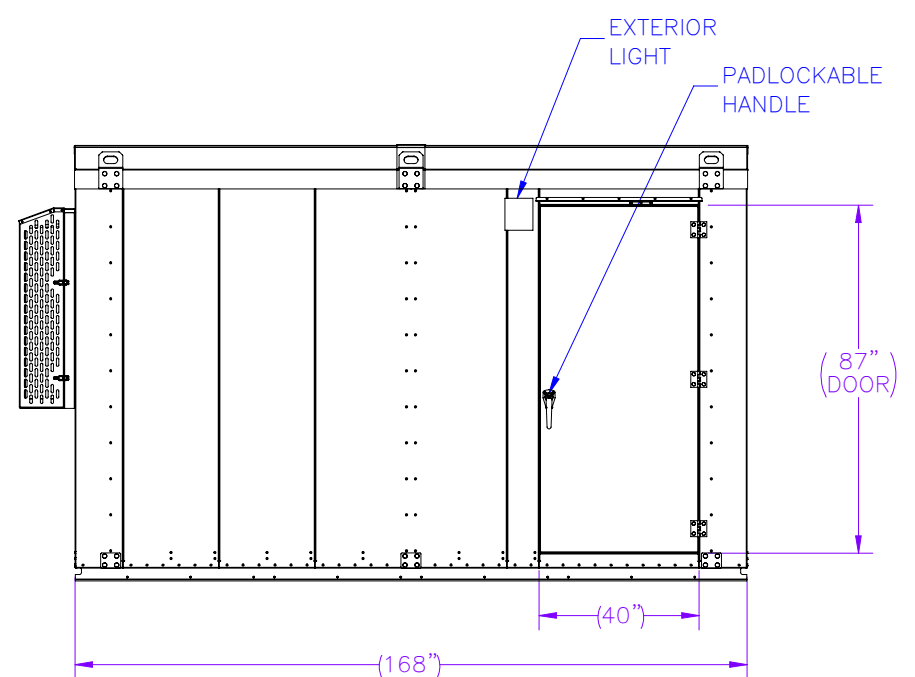
PLAN VIEW




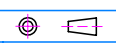
REAR ISO VIEW

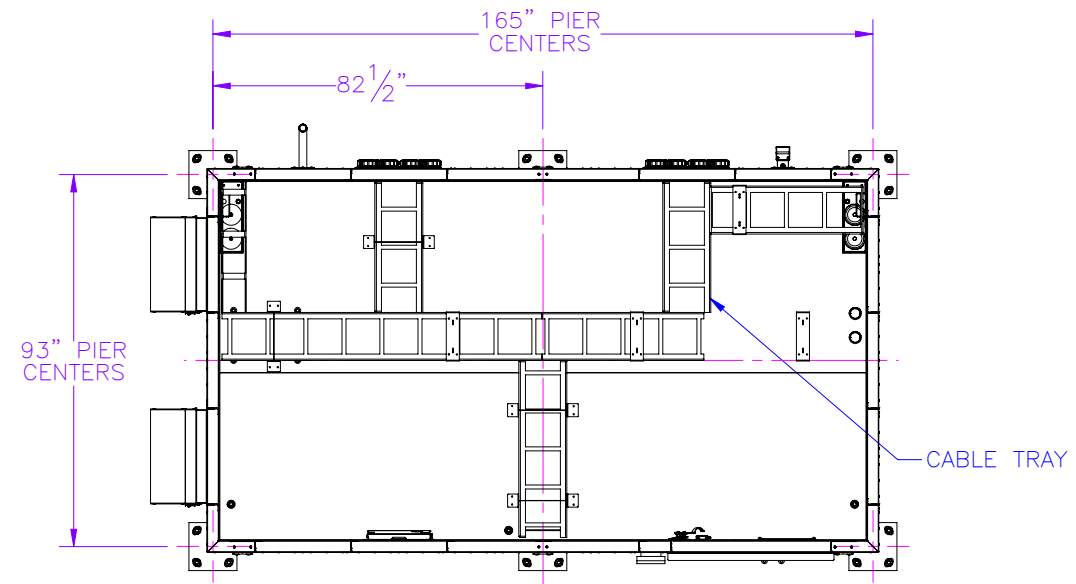


FRONT ISO VIEW

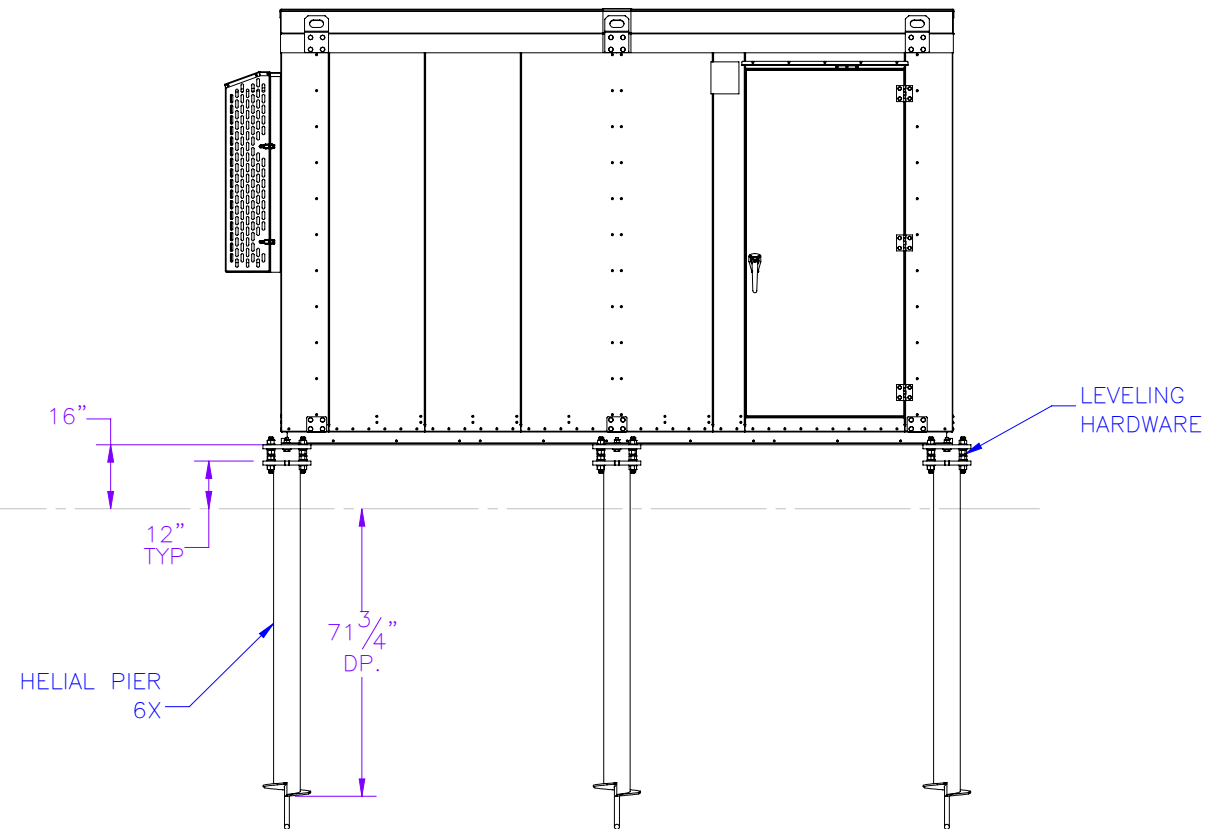
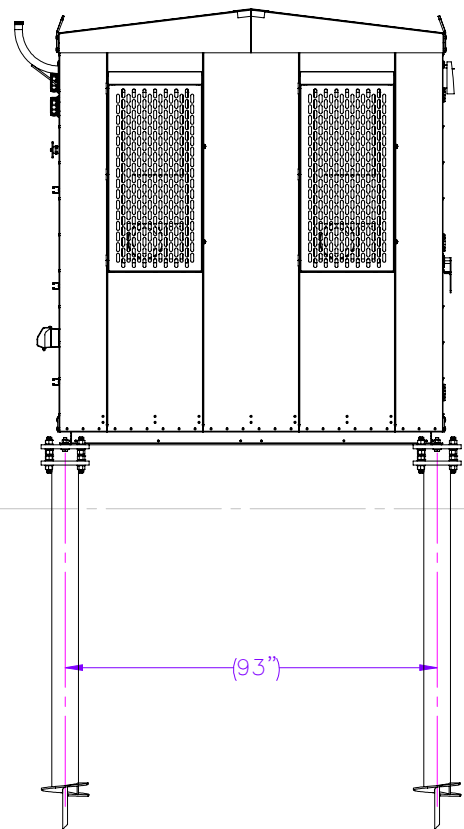


- NOTES:
1. BASE STRUCTURE TO BE ASTM A36 GALVANIZED STEEL CONSTRUCTION
 2. WALLS, ROOF, AND DOOR ARE ALUMINUM ALLOY CONSTRUCTION H5052-H32
 3. INSULATION TYPE R19
 4. INTERIOR WALLS: ARE ALUMINUM COMPOSITE PANELS (ACM)
 5. CABLE TRAY AND ELECTRICAL PER CUSTOMER REQUIREMENTS
 6. PAINT PER CUSTOMER REQUIREMENTS

SURFACE FINISH <input checked="" type="checkbox"/> UNLESS OTHERWISE SPECIFIED		UNLESS OTHERWISE SPECIFIED DIMENSIONS ARE IN INCHES		APPROVALS	DATE	 ELECTRO MECHANICAL INDUSTRIES, INC. 11230 NEESESHAW DRIVE HOUSTON, TEXAS 77065 1-800-453-0050
MATERIAL	SEE PARTS LIST	TOLERANCES		DRAWN	3/1/2024	
THIRD ANGLE PROJECTION		.0	± .06	CHECKER		TITLE:
		.00	± .015	ENGINEER		8' X 14' MCB
		.000	± .005	PRODUCTION		SIZE
		FRACTIONS	± 1/16			DRAWING NO.
		ANGLES	± .25°			1018-0010-0022
		HOLES:				REV
NEXT ASSY	USED ON	DRILLED OR PUNCHED	+1/32			A
APPLICATIONS		BURNED	±1/32			SCALE: 1:48
						WEIGHT: 3331.88 lbs.
						SHEET 1 OF 2



TOP VIEW
(ROOF REMOVED)



HELICAL FOUNDATION
DETAIL VIEW