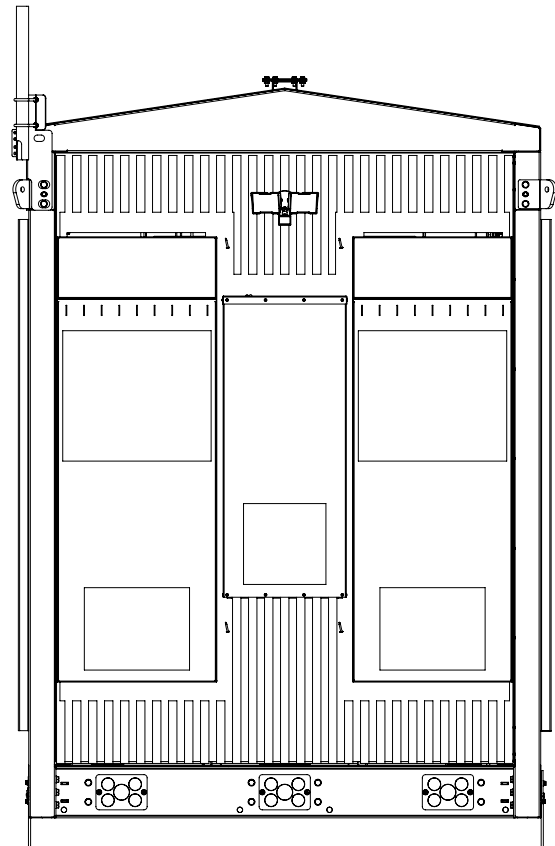
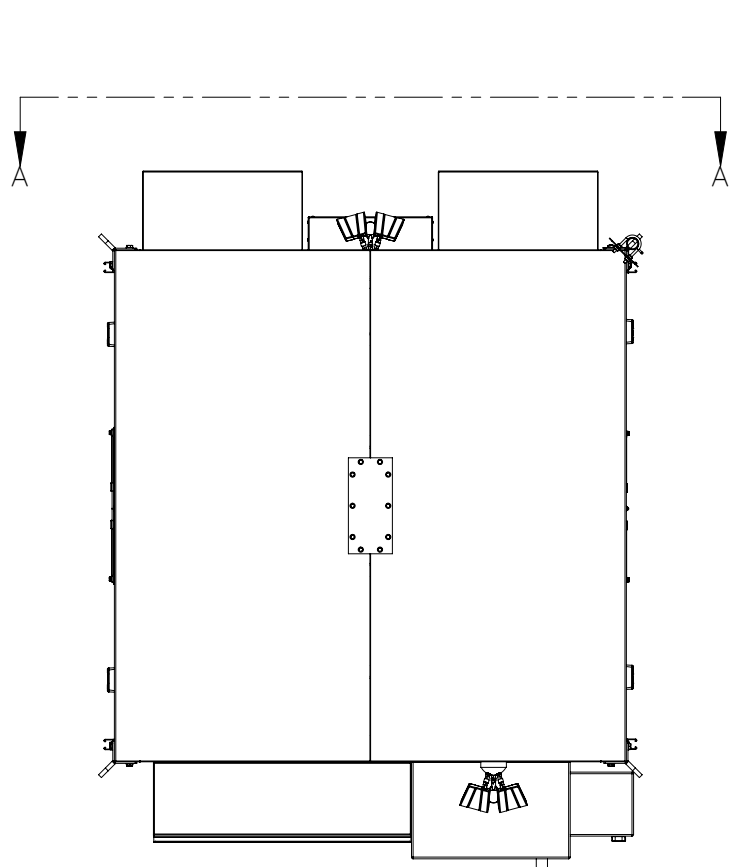
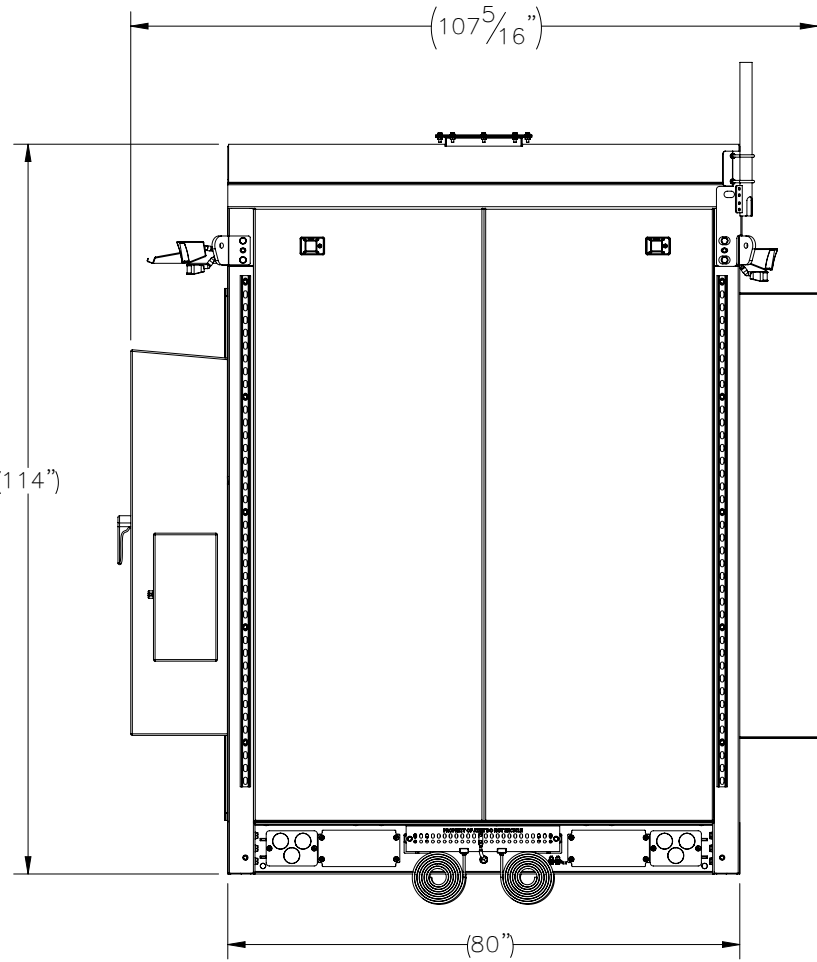
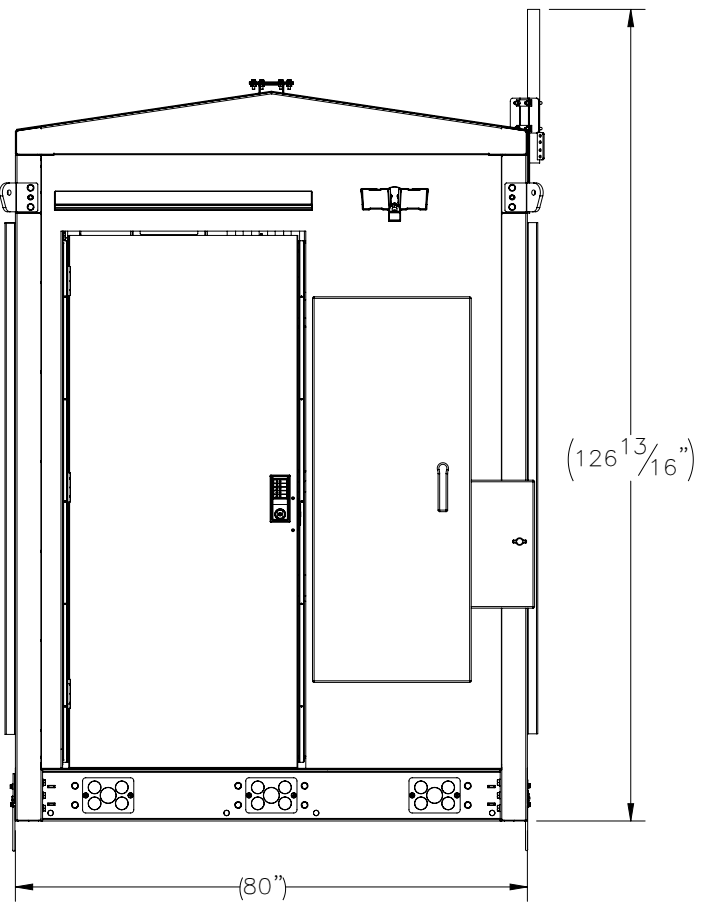
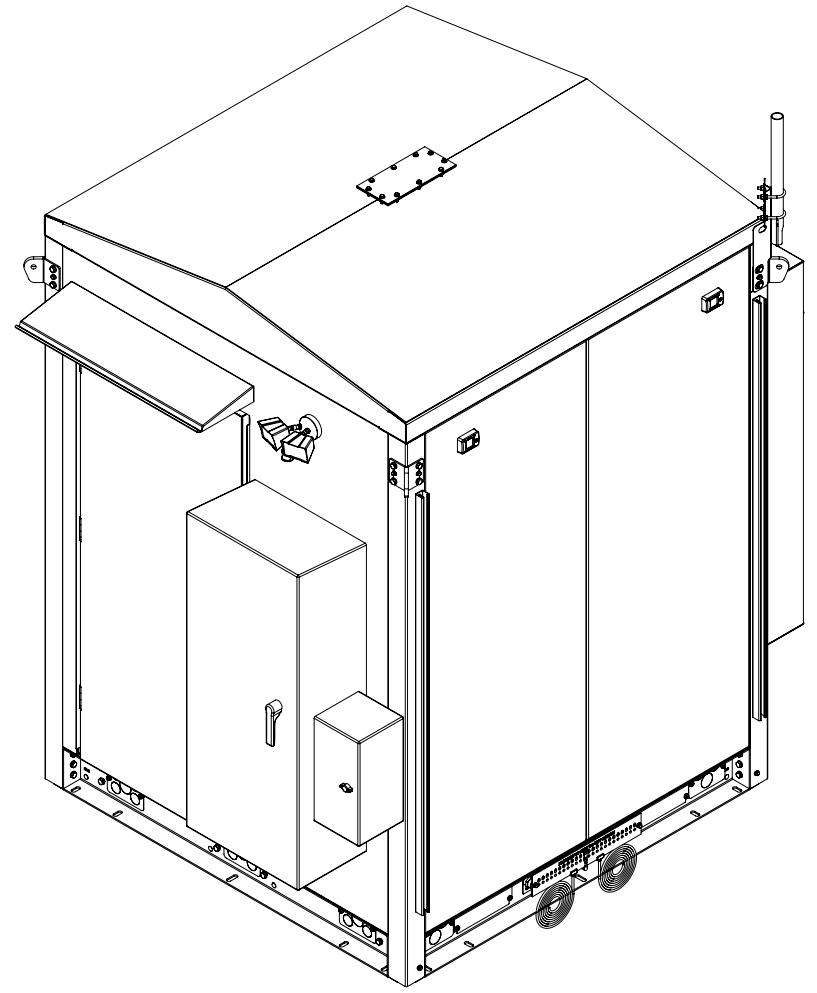

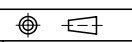


THE INFORMATION CONTAINED IN THIS DRAWING IS THE SOLE PROPERTY OF ELECTRO MECHANICAL INDUSTRIES, INC. ANY REPRODUCTION IN PART OR WHOLE WITHOUT THE WRITTEN PERMISSION OF ELECTRO MECHANICAL IND., IS PROHIBITED.



SECTION A-A



SURFACE FINISH ✓ UNLESS OTHERWISE SPECIFIED		UNLESS OTHERWISE SPECIFIED DIMENSIONS ARE IN INCHES		APPROVALS	DATE	 ELECTRO MECHANICAL INDUSTRIES, INC. 11230 NEESEAW DRIVE HOUSTON, TEXAS 77065 1-800-453-0050
MATERIAL	SEE PARTS LIST	TOLERANCES		DRAWN	8/12/2022	
THIRD ANGLE PROJECTION		.0	± .06	CHECKER		80" X 80" WALK IN CABINET
		.00	± .015	ENGINEER		
		.000	± .005	PRODUCTION		SIZE
NEXT ASSY	USED ON	FRACTIONS	± 1/16			DRAWING NO.
		ANGLES	± .25°			1018-0010-0017
		HOLES:				REV
APPLICATIONS		DRILLED OR PUNCHED	+1/32			—
		BURNED	±1/32			SCALE: 1:30
						WEIGHT: 5454.09 lbs.
						SHEET 1 OF 2

