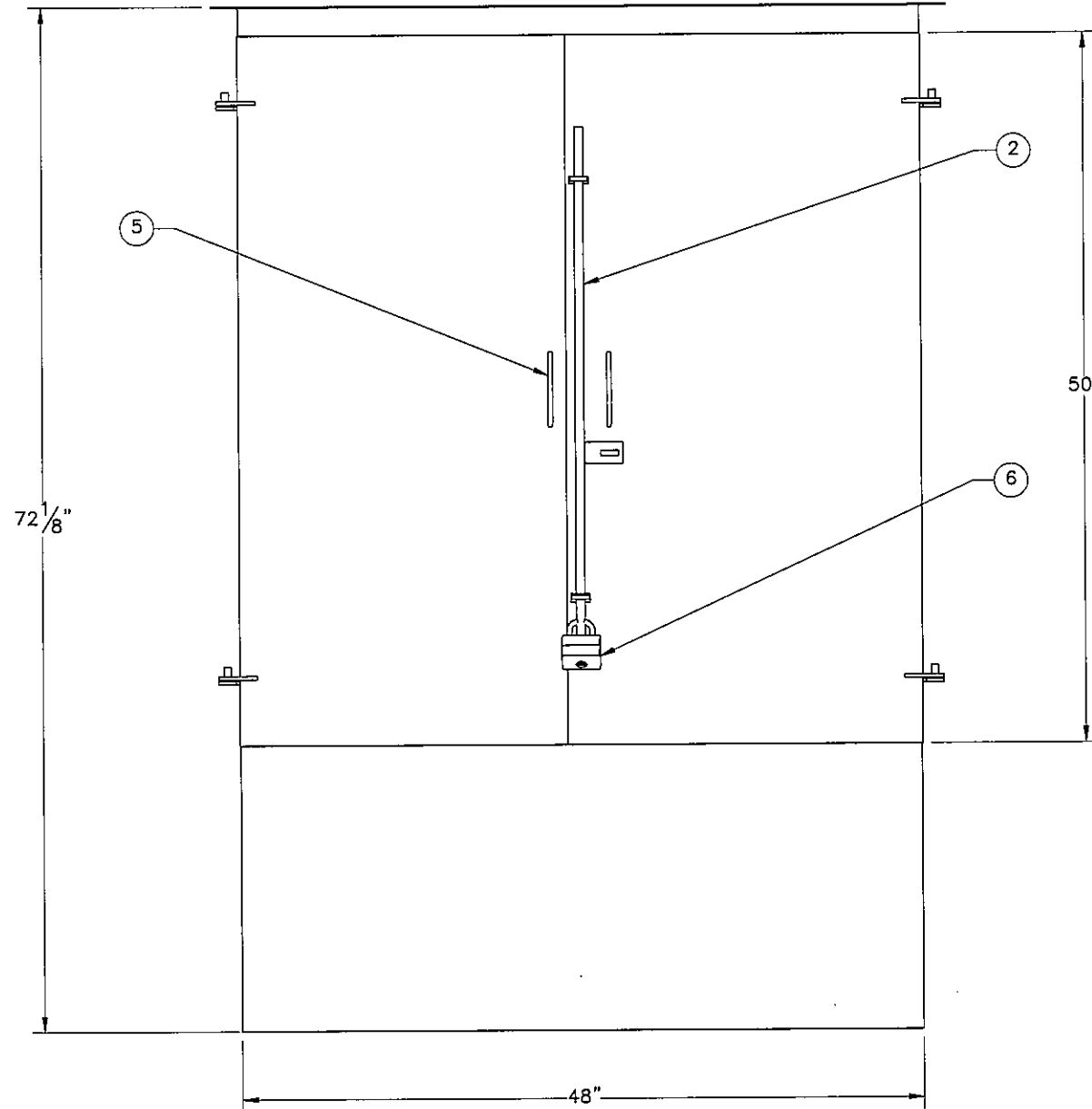
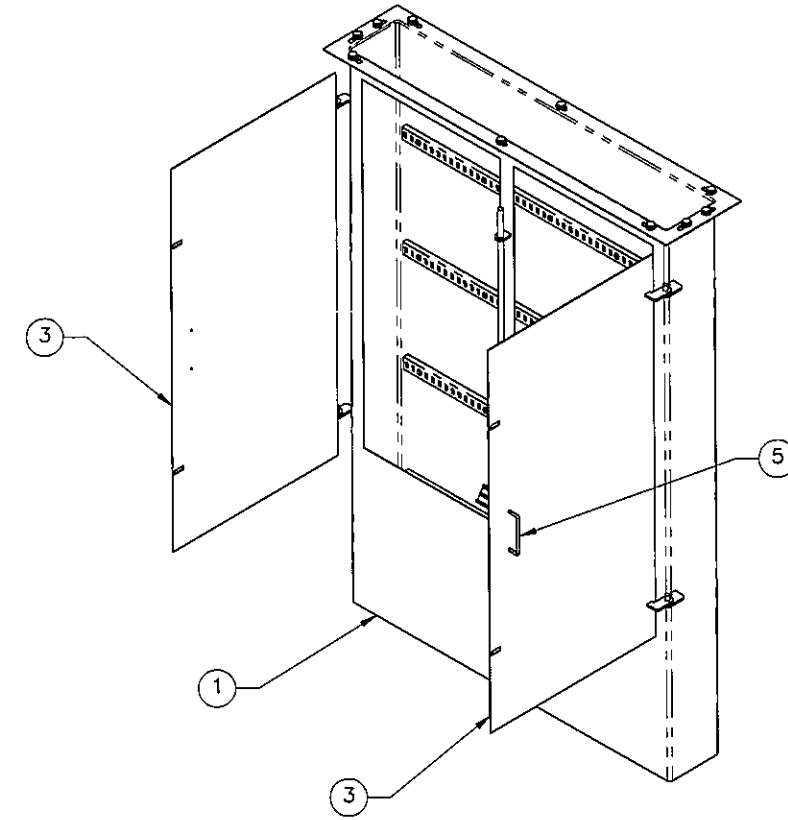
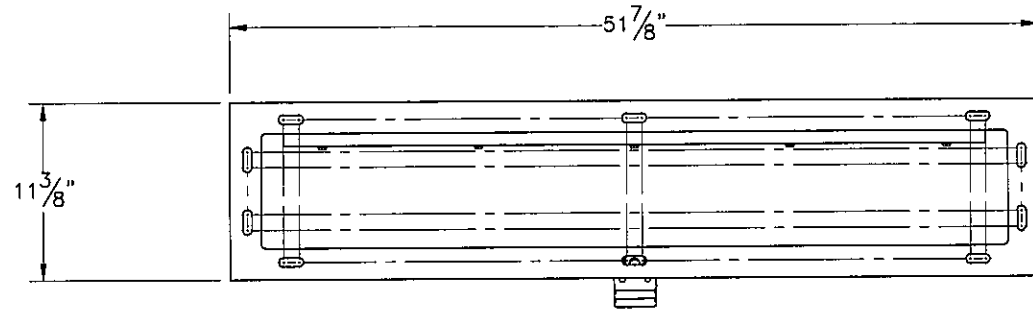


THE INFORMATION CONTAINED IN THIS DRAWING IS THE SOLE PROPERTY OF ELECTRO MECHANICAL INDUSTRIES, INC. ANY REPRODUCTION IN PART OR WHOLE WITHOUT THE WRITTEN PERMISSION OF ELECTRO MECHANICAL IND., IS PROHIBITED.

| REVISIONS | | | | | |
|-----------|----------|---|------------|-----|----------|
| REV. | DCN # | DESCRIPTION | DATE | BY | APPROVED |
| 1 | DCN00853 | UPDATED PART NUMBER FROM COMMON TO PROPER EMI PART NUMBER | 05.15.2020 | MCC | JPB |



| ITEM NO. | QTY. | PART NUMBER | DESCRIPTION | LENGTH | WEIGHT |
|----------|------|-------------------|---|--------|--------|
| 1 | 1 | 450-000-1600-0100 | CONDUIT CABINET LOWER CASE ASS'Y | | 131.5 |
| 2 | 1 | 450-000-1600-0107 | CONDUIT CABINET LOCKING ROD | | 3.5 |
| 3 | 2 | 450-000-1600-0200 | CONDUIT CABINET DORR ASS'Y | | 26.9 |
| 4 | 4 | 450-000-1600-0202 | CABLE STRUT | | 3.3 |
| 5 | 2 | 002-OPH-S001 | HANDLE, .3125 X 1.5 X 5.0 LG, STAINLESS | | 0.15 |
| 6 | 1 | COMMON | .375 SHANK LOCK | | 2.0 |
| 7 | 20 | 002-OBS-0102 | BOLT, HEX HD, .250-20UNC X 1.5 LG, SST | | 0.0036 |
| 8 | 20 | 002-ONS-0007 | NUT, HEX, NY-LOCK, .250-20UNC, 18-8 SST | | 0.01 |
| 9 | 40 | 002-OFW-S016 | WASHER, FLAT, .25 INCH, 18-8 SST | | 0.004 |

| | | | | | | | |
|---|--|---|--|--|--|----------------------------|--|
| SURFACE FINISH <input checked="" type="checkbox"/> UNLESS OTHERWISE SPECIFIED | | UNLESS OTHERWISE SPECIFIED DIMENSIONS ARE IN INCHES | | APPROVALS | | DATE | |
| MATERIAL SEE PARTS LIST | | TOLERANCES | | DRAWN J. CRITELLI | | 9.28.14 | |
| THIRD ANGLE PROJECTION | | 0 ± .06 .000 ± .01 .005 ± .005 | | CHECKED C. SANCHEZ | | 10.13.16 | |
| NEXT ASSY | | FRACTIONS ± 1/16 | | ENGINEER/DESIGNER C. SANCHEZ | | 10.13.16 | |
| APPLICATIONS | | ANGLES ± .25° | | PRODUCTION JAB | | 10.13.16 | |
| | | HOLES: DRILLED OR PUNCHED ± 1/32 | | SCALE: 1:12 | | WEIGHT: 204.9 lbs. | |
| | | BURNED ± 1/32 | | ELECTRO MECHANICAL INDUSTRIES, INC. 11230 NEESEAW DRIVE HOUSTON, TEXAS 77065 1-800-453-0050 | | TITLE: CONDUIT CABINET | |
| | | | | SIZE B | | DRAWING NO. 1018-0000-0008 | |
| | | | | | | REV 1 | |
| | | | | | | SHEET 1 OF 1 | |