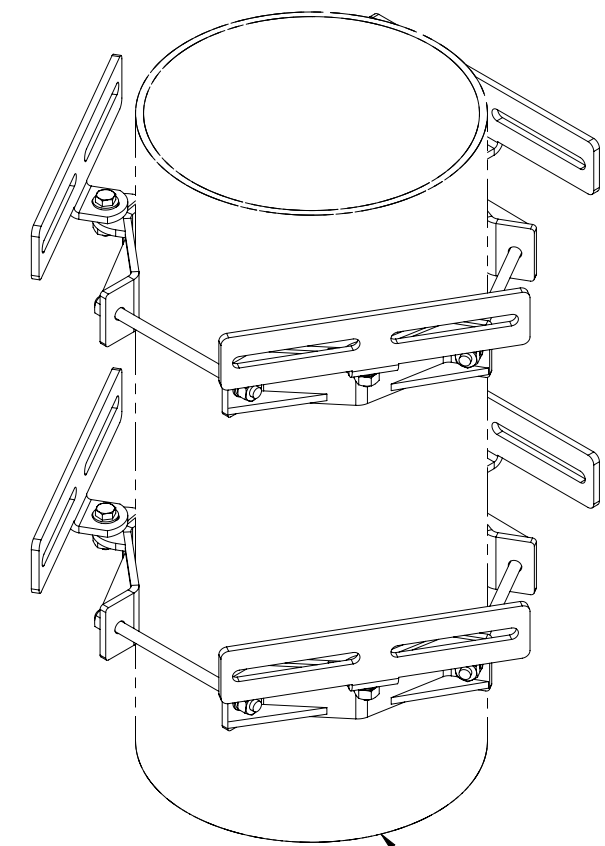
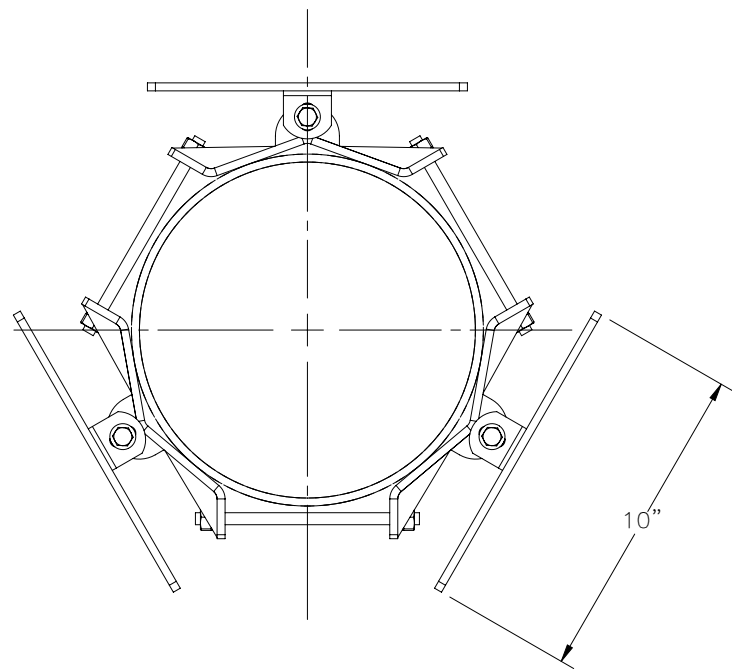
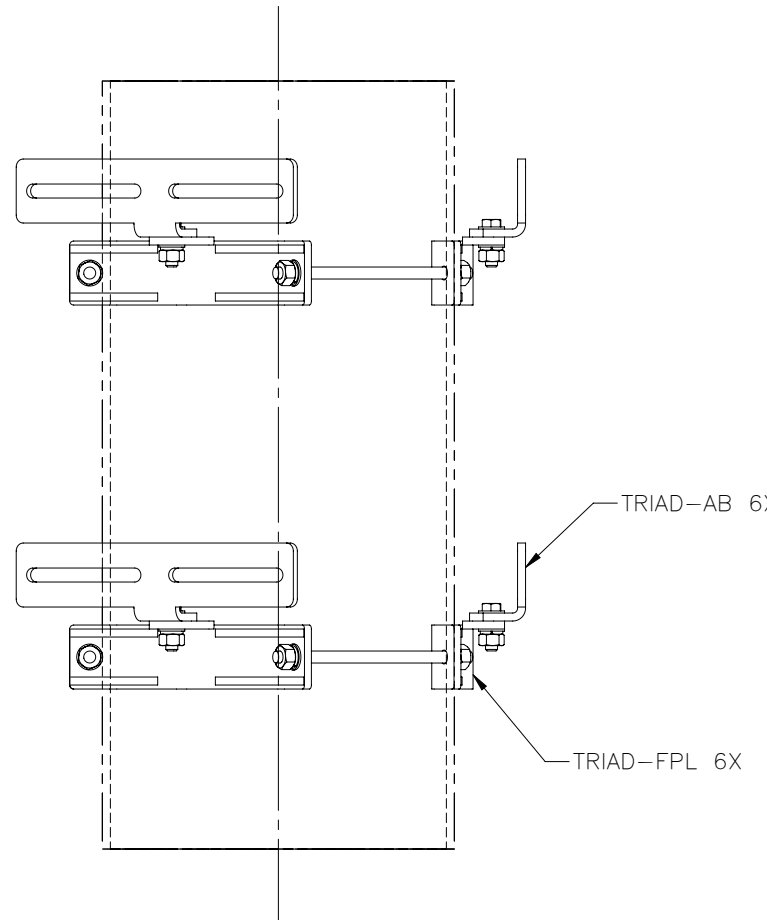
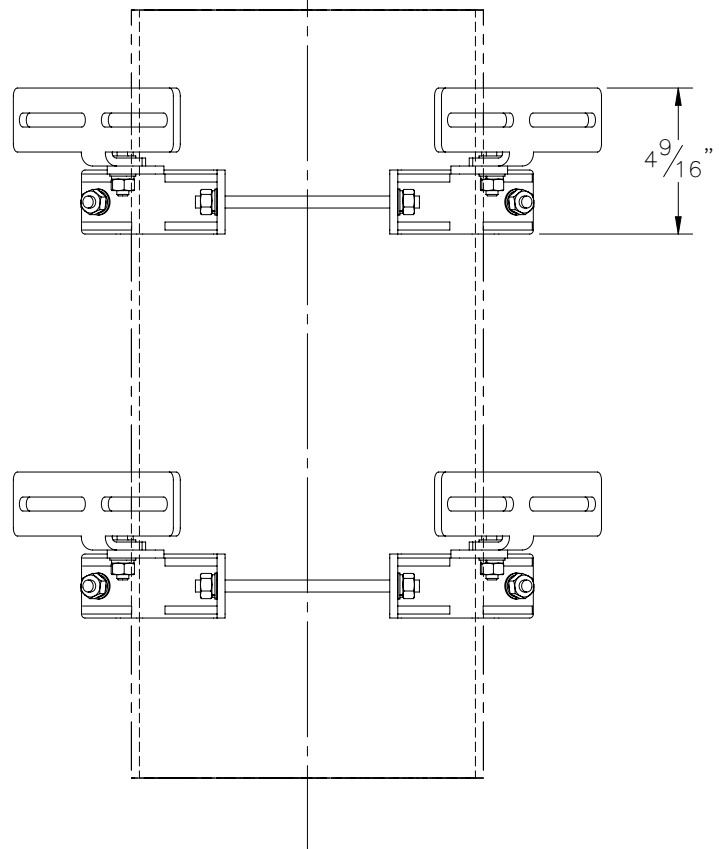



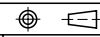
THE INFORMATION CONTAINED IN THIS DRAWING IS THE SOLE PROPERTY OF ELECTRO MECHANICAL INDUSTRIES, INC. ANY REPRODUCTION IN PART OR WHOLE WITHOUT THE WRITTEN PERMISSION OF ELECTRO MECHANICAL IND., IS PROHIBITED.



FITS 6" TO 11" PIPE DIA.  
(NOT INCLUDED)



# SALES DRAWING

SURFACE FINISH <input checked="" type="checkbox"/> UNLESS OTHERWISE SPECIFIED		UNLESS OTHERWISE SPECIFIED DIMENSIONS ARE IN INCHES		APPROVALS	DATE	 ELECTRO MECHANICAL INDUSTRIES, INC. 11230 NEESHAW DRIVE HOUSTON, TEXAS 77065 1-800-453-0050
MATERIAL SEE PARTS LIST		TOLERANCES		DRAWN	12/21/2023	
THIRD ANGLE PROJECTION 		.0 ±.06 .00 ±.015 .000 ±.005		CHECKER		TRIAD FLUSHED MOUNT 6" TO 11" DIA. POLE
NEXT ASSY		FRACTIONS ± 1/16 ANGLES ± .25°		ENGINEER		SIZE
USED ON		HOLES: DRILLED OR PUNCHED ±1/32		PRODUCTION		B
APPLICATIONS		BURNED ±1/32				DRAWING NO.
						1012-0000-0130
						REV
						0
						SCALE: 1:6
						WEIGHT: 20.79 lbs.
						SHEET 1 OF 1