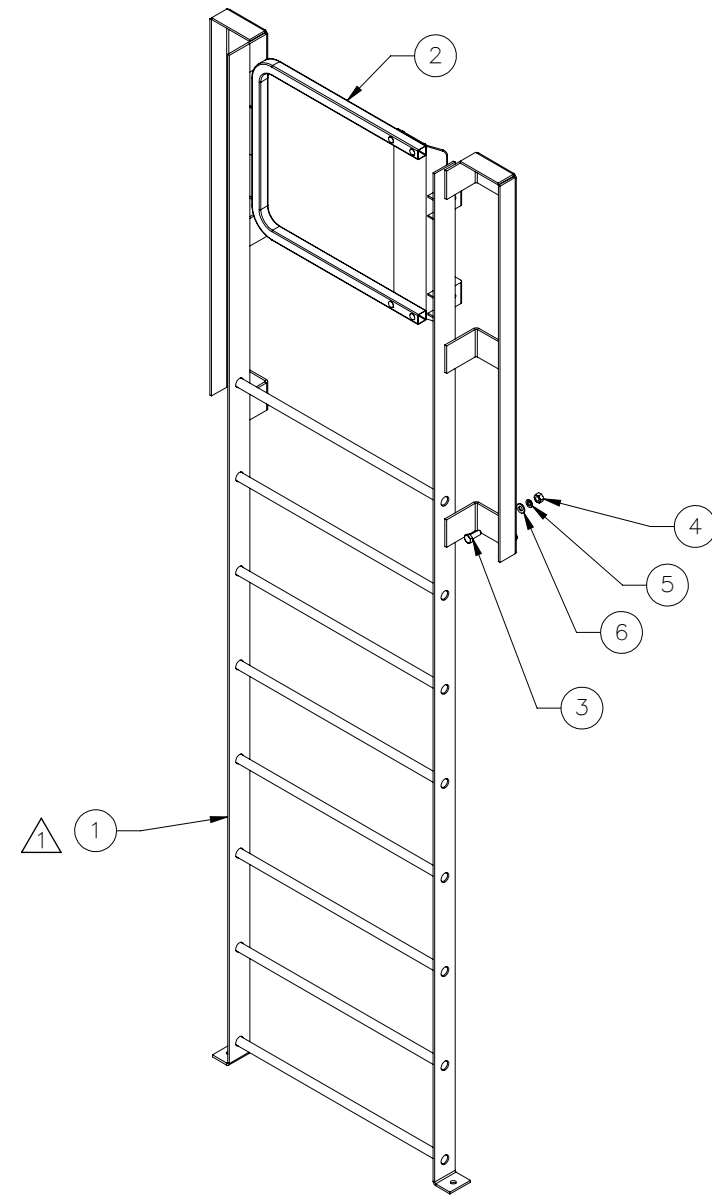
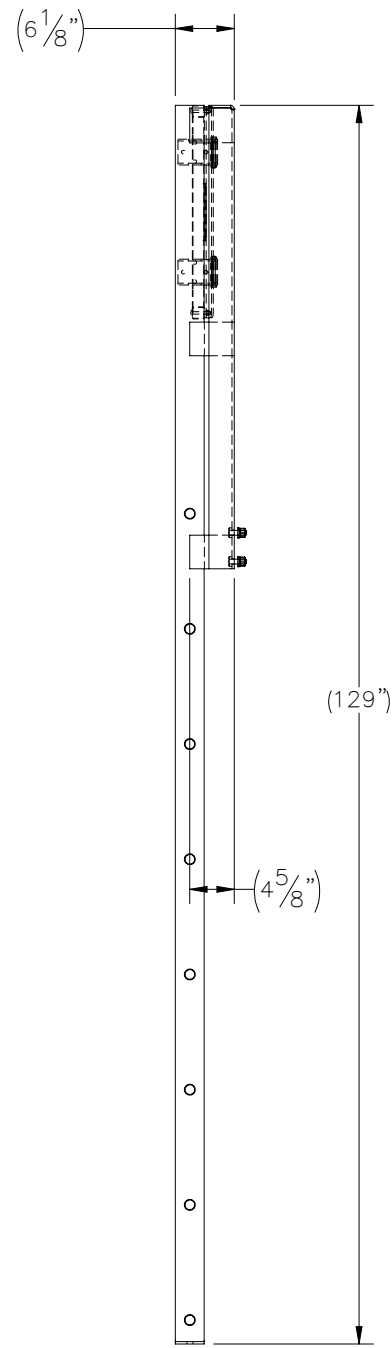
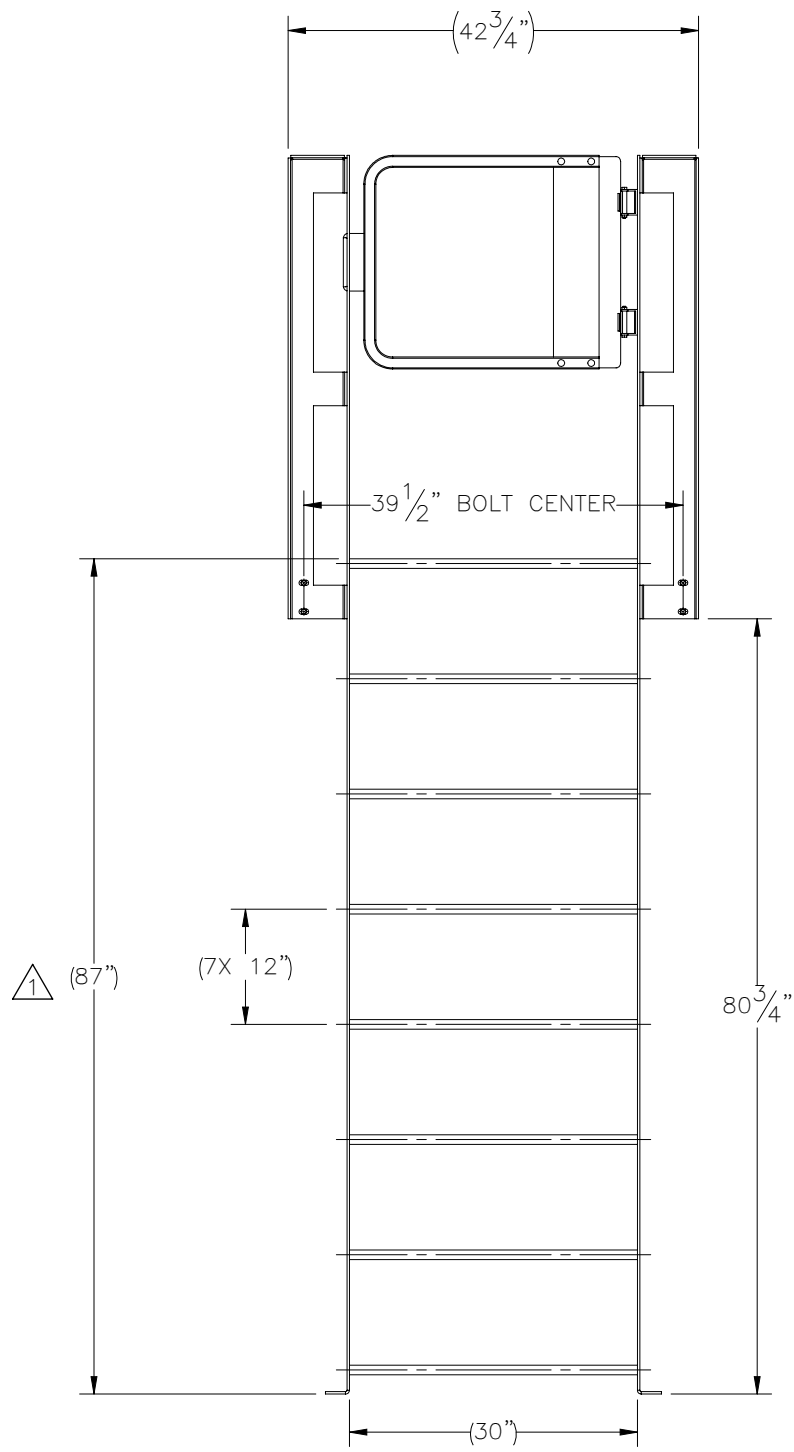

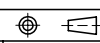


THE INFORMATION CONTAINED IN THIS DRAWING IS THE SOLE PROPERTY OF ELECTRO MECHANICAL INDUSTRIES, INC. ANY REPRODUCTION IN PART OR WHOLE WITHOUT THE WRITTEN PERMISSION OF ELECTRO MECHANICAL IND., IS PROHIBITED.

REVISIONS					
REV.	DCN #	DESCRIPTION	DATE	BY	APPROVED
1	01213	UPDATED WITH LOWER LEVEL CHANGES.	01/25/2023	JTR	JPB



ITEM NO.	QTY REQD	PART NUMBER	DESCRIPTION	LENGTH	WEIGHT
1	1	W-002-492	87" ESCAPE LADDER WELDMENT		155.26
2	1	002-SFG-0002	LADDER SAFETY GATE, YELLOW		
3	4	002-OBG-0010	BOLT, HX. HD., .500-13UNC X 1.50 LG., PARTIAL THD., ASTM A325, GALV.		0.14
4	4	002-ONG-0010	NUT, HEX, .500-13UNC, GR 2H, GALV		0.06
5	4	002-OLW-G002	WASHER, SPLIT LOCK, .500", GALV		0.01
6	4	002-OFW-G002	FW, .50, F436, HDG		0.02

SURFACE FINISH <input checked="" type="checkbox"/> UNLESS OTHERWISE SPECIFIED		UNLESS OTHERWISE SPECIFIED DIMENSIONS ARE IN INCHES		APPROVALS		DATE		 ELECTRO MECHANICAL INDUSTRIES, INC. 11230 NEESESHAW DRIVE HOUSTON, TEXAS 77065 1-800-453-0050	
MATERIAL SEE PARTS LIST		TOLERANCES		DRAWN B. HUTSON		10/13/2022		TITLE: 87" LADDER ASSEMBLY, 36" WIDE	
THIRD ANGLE PROJECTION 		.0 ±.06 .00 ±.015 .000 ±.005		CHECKER J. Breen		10/13/2022			
NEXT ASSY		FRACTIONS ± 1/16 ANGLES ± .25°		ENGINEER J. Breen		10/13/2022			
USED ON		HOLES: DRILLED OR PUNCHED ± 1/32		PRODUCTION J. KERNER		10/13/2022		SIZE B DRAWING NO. 1005-0360-0870 REV 1	
APPLICATIONS		BURNED ± 1/32						SCALE: 1:20 WEIGHT: 158.4 lbs. SHEET 1 OF 1	

NOTE:
FALL PROTECTION GATE TO BE FIELD DRILLED AND INSTALLED.