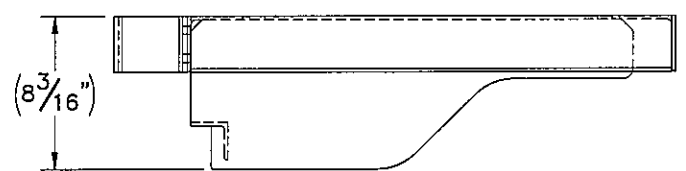
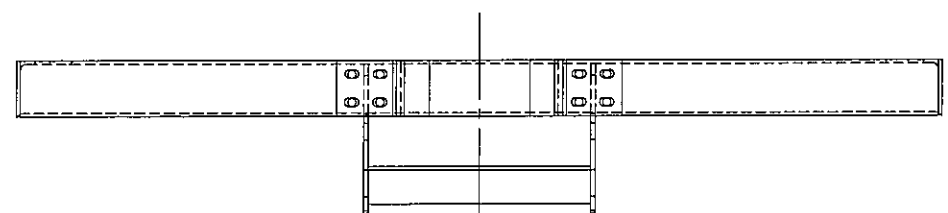
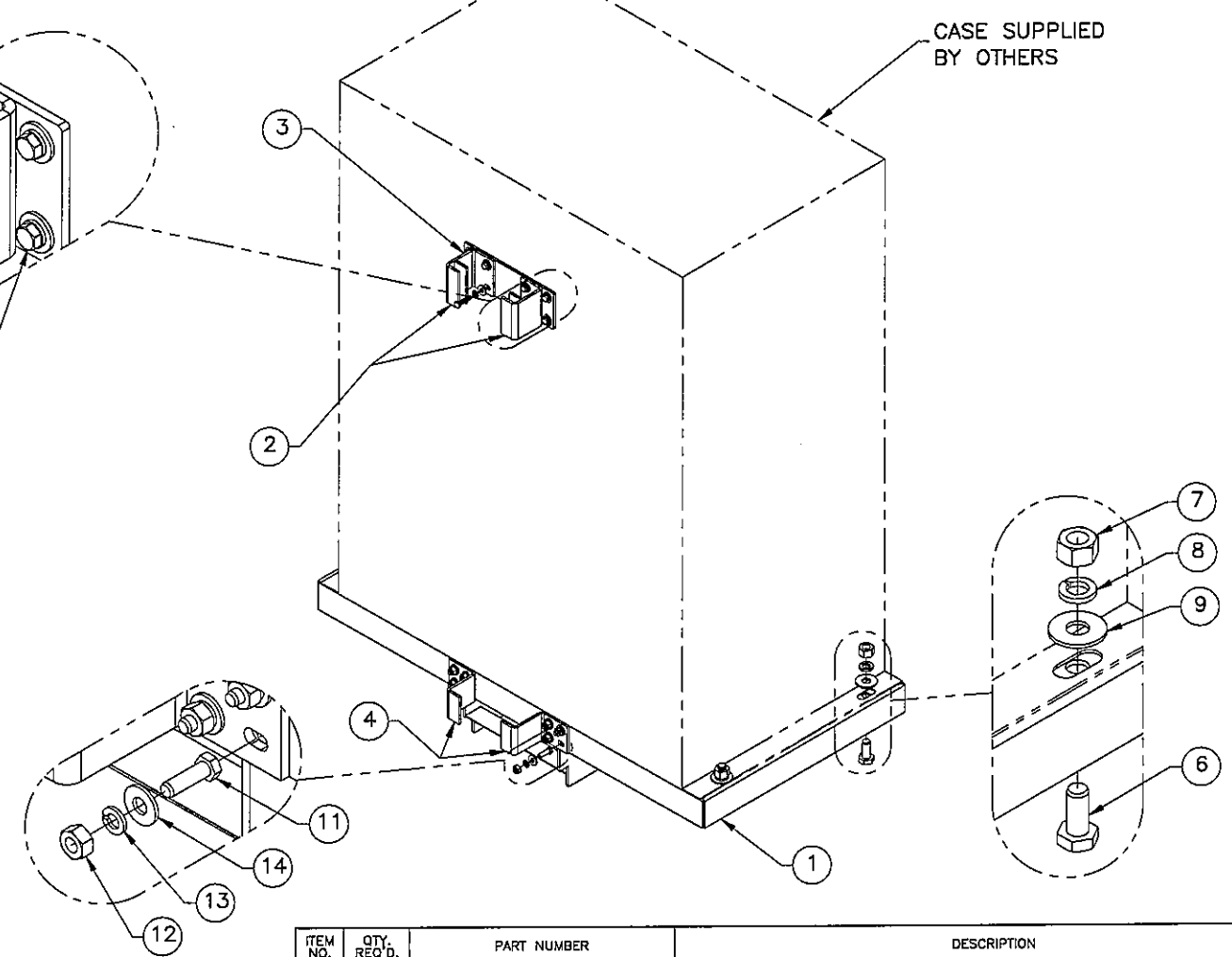
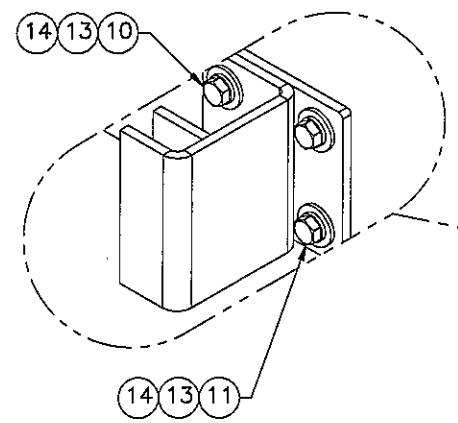
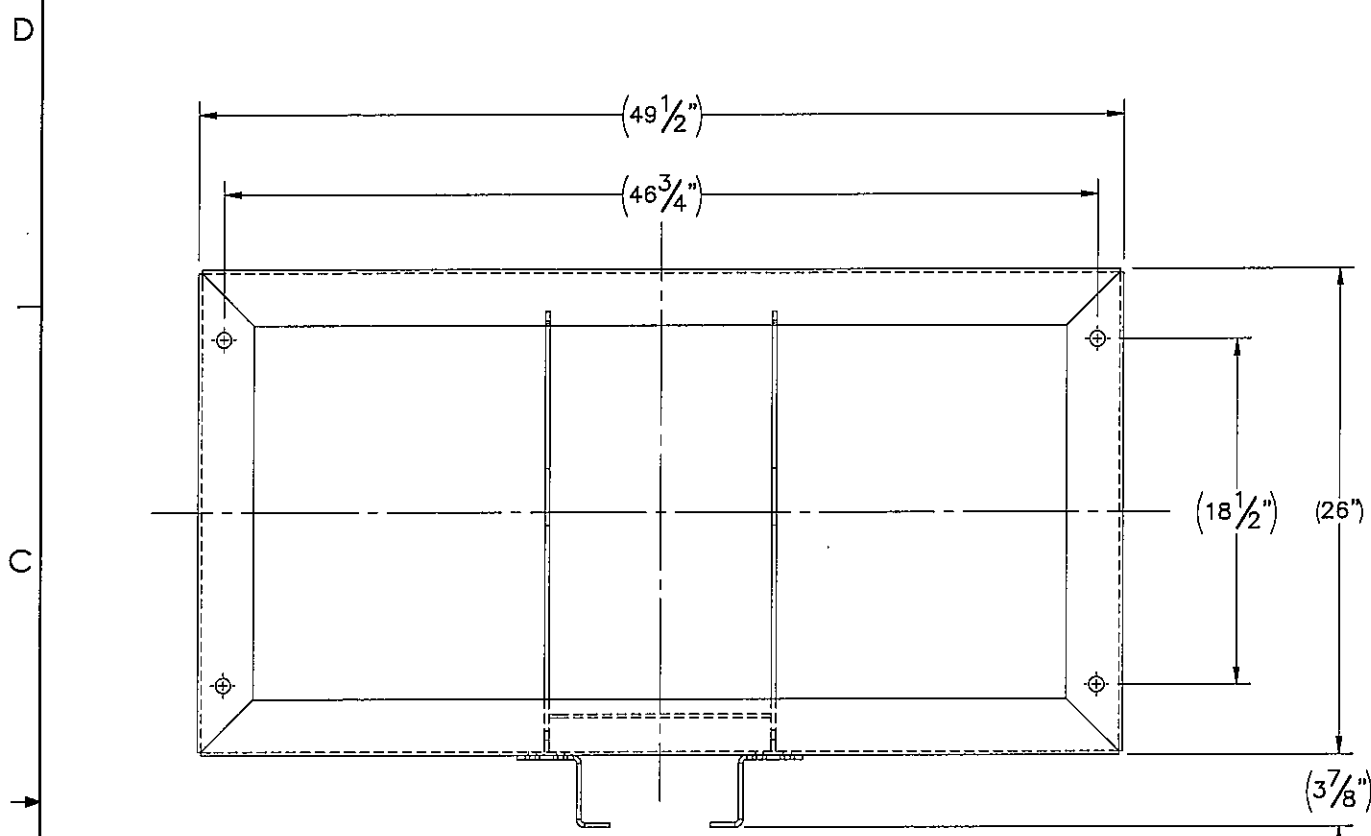


THE INFORMATION CONTAINED IN THIS DRAWING IS THE SOLE PROPERTY OF ELECTRO MECHANICAL INDUSTRIES, INC. ANY REPRODUCTION IN PART OR WHOLE WITHOUT THE WRITTEN PERMISSION OF ELECTRO MECHANICAL IND., IS PROHIBITED.

| REVISIONS |          |   |            |       |           |
|-----------|----------|---|------------|-------|-----------|
| REV.      | DCN #    | DESCRIPTION   | DATE       | BY    | APPROVED  |
| 1         | DCN00309 | REPLACED FRONT COVER P-001-491 WITH 450-004-3054-0129 | 08/07/2017 | RLWJr | <i>CS</i> |



| ITEM NO. | QTY. REQ'D. | PART NUMBER       | DESCRIPTION  | WEIGHT |
|----------|-------------|-------------------|--|--------|
| 1        | 1           | W-000-570         | TOWER SIDE ACCESSORY PLATFORM FRAME                        | 66.72  |
| 2        | 2           | W-000-574         | UPPER BEAM CLAMP   | 2.51   |
| 3        | 1           | P-001-496         | BACKING PLATE  | 3.18   |
| 4        | 2           | 400-904-1002-0106 | BOTTOM BEAM CLAMP  | 1.69   |
| 5        | 1           | 400-004-3054-0129 | FRONT COVER  |        |
| 6        | 4           | M002-0BG-0207     | BOLT, HEX, .750"-10 X 1.75" LG., FULLY THREAD, A325, GALV. | 0.40   |
| 7        | 4           | M002-0NG-0019     | NUT, HEX, .750"-10, GR DH, GALV.                           | 0.19   |
| 8        | 4           | M002-0LW-G003     | WASHER, SPLIT-LOCK, .750", GALV.                           | 0.05   |
| 9        | 4           | M002-0FW-G000     | WASHER, FLAT, .750", GALV.                                 | 0.10   |
| 10       | 4           | 002-0BG-0008      | BOLT, HX HD, .375-16UNC X 1.50 LG, GR 5, GALV              | 0.06   |
| 11       | 12          | 002-0BG-0013      | BOLT, HX HD, .375-16UNC X 1.25 LG, GR 5, GALV              | 0.06   |
| 12       | 8           | 002-0NG-0003      | NUT, HEX, .375-16UNC, GR 2H, GALV                          | 0.03   |
| 13       | 16          | 002-0LW-G005      | WASHER, SPLIT LOCK, .375 INCH, GALV                        | 0.01   |
| 14       | 16          | 002-0FW-G005      | WASHER, FLAT, .375, USS, GALV                              | 0.02   |

|   |  |   |  |  |            |
|---|--|---|--|--|------------|
| SURFACE FINISH <input checked="" type="checkbox"/> UNLESS OTHERWISE SPECIFIED |  | UNLESS OTHERWISE SPECIFIED DIMENSIONS ARE IN INCHES |  | APPROVALS  | DATE       |
| MATERIAL SEE PARTS LIST   |  | TOLERANCES  |  | DRAWN P. GUTIERREZ   | 6.29.17    |
| THIRD ANGLE PROJECTION  |  | FRACTIONS ± 1/16                                    |  | CHECKED C. SANCHEZ   | 07.14.2017 |
| NEXT ASSY USED ON   |  | ANGLES ± 25°  |  | ENGINEER/DESIGNER J. BUSHMAN   | 07.14.2017 |
| APPLICATIONS  |  | HOLES: DRILLED OR PUNCHED ± 1/32                    |  | PRODUCTION J. BOWLDS   | 07.14.2017 |
|   |  | BURNED ± 1/32                                       |  | ELECTRO MECHANICAL INDUSTRIES, INC.<br>11230 NEESHAW DRIVE<br>HOUSTON, TEXAS 77065<br>1-800-453-0050 |            |
| TITLE: <b>TOWER SIDE ACCESSORY PLATFORM W/ BRACKET</b>                        |  |   |  |  |            |
| SCALE: 1:8  |  | WEIGHT: 1496 lbs.                                   |  | SHEET 1 OF 2   |            |

8

7

6

5

4

3

2

1

D

D

C

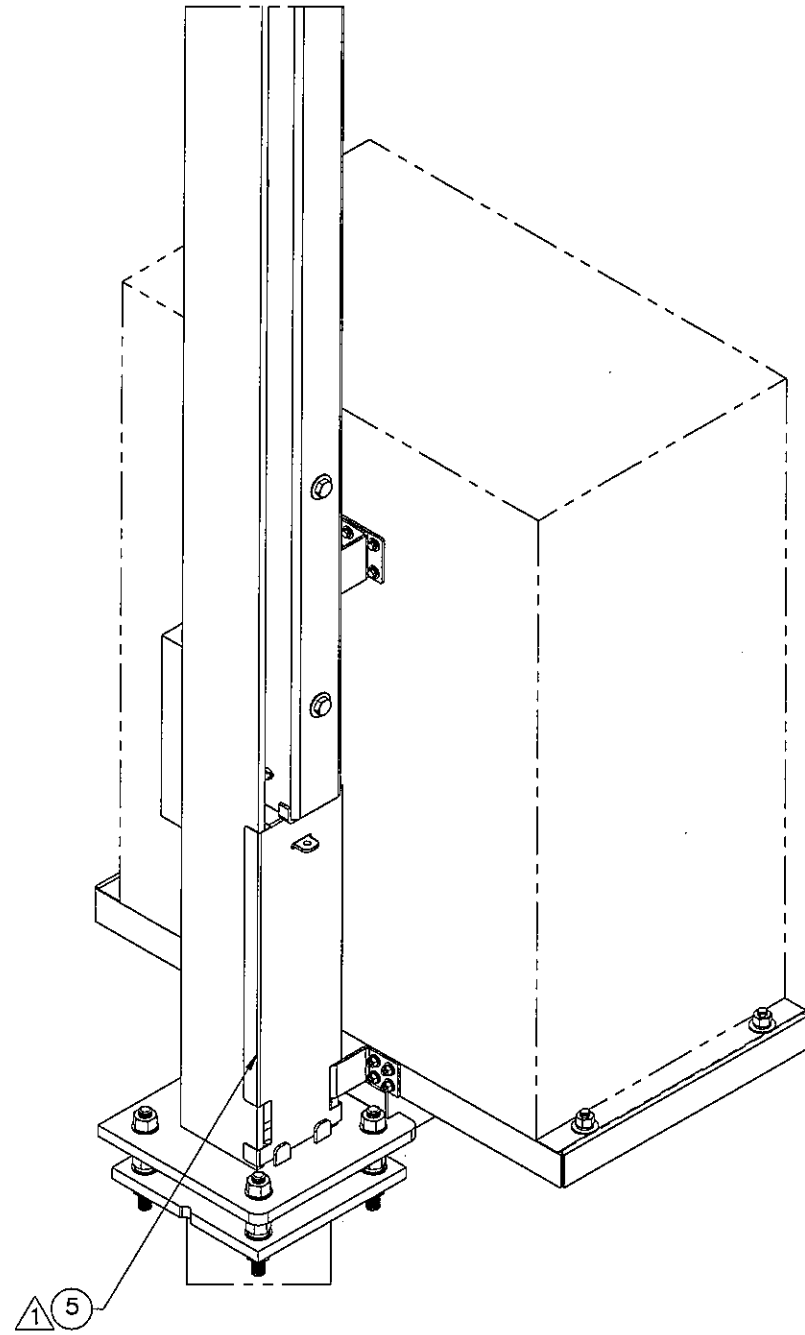
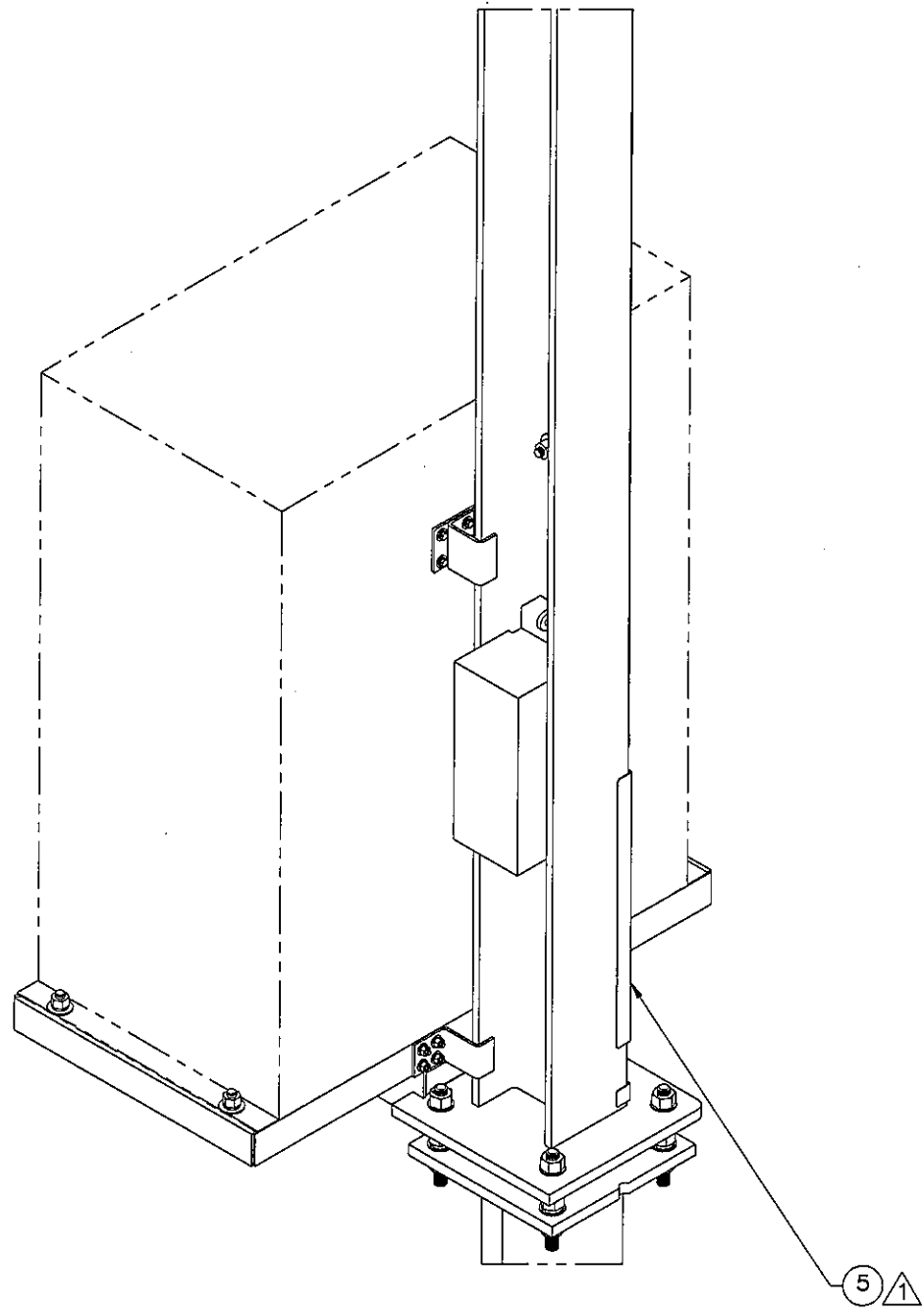
C

B

B

A

A



|             |                |  |  |
|-------------|----------------|--|--|
|             |                | ELECTRO MECHANICAL INDUSTRIES, INC.<br>11230 NEEDHAM DRIVE<br>HOUSTON, TEXAS 77065<br>1-800-453-0050 |  |
| SIZE        | DRAWING NO.    | REV  |  |
| B           | 1002-0050-0010 | 1  |  |
| SCALE: 1:14 |                | SHEET 2 OF 2   |  |

8

7

6

5

4

3

2

1