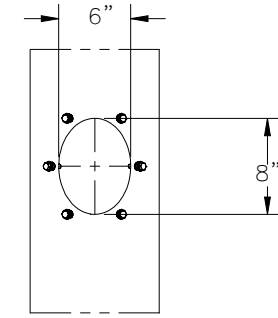
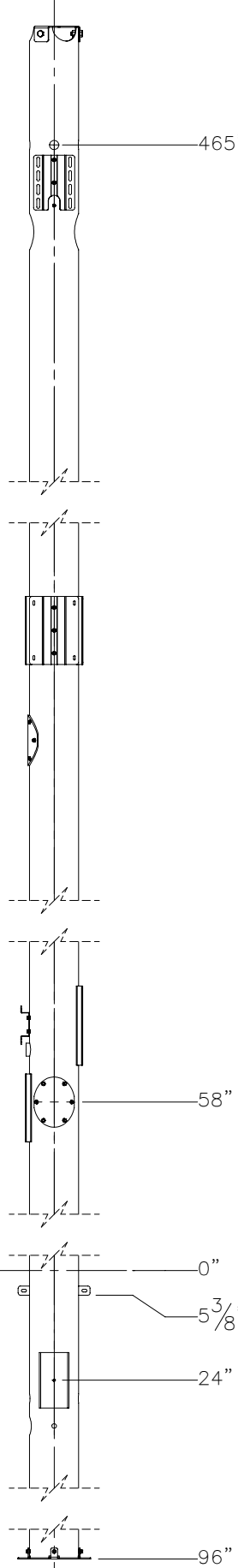
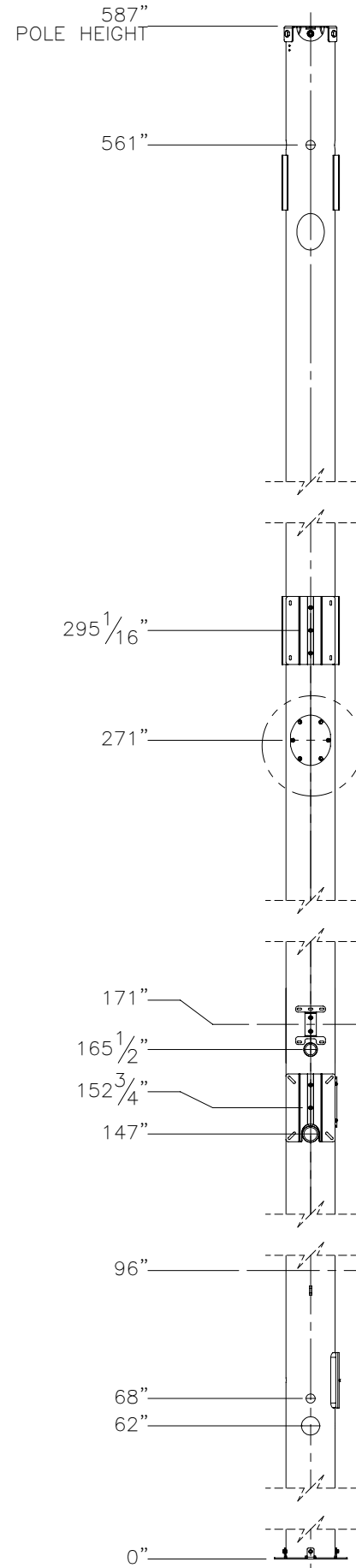
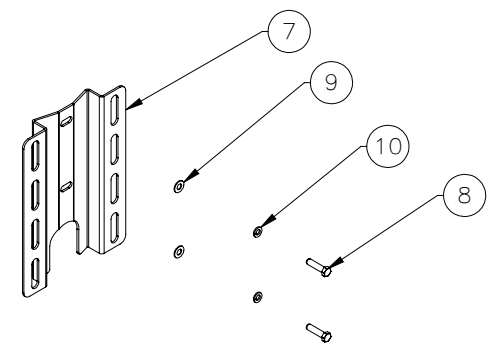


THE INFORMATION CONTAINED IN THIS DRAWING IS THE SOLE PROPERTY OF ELECTRO MECHANICAL INDUSTRIES, INC. ANY REPRODUCTION IN PART OR WHOLE WITHOUT THE WRITTEN PERMISSION OF ELECTRO MECHANICAL IND., IS PROHIBITED.

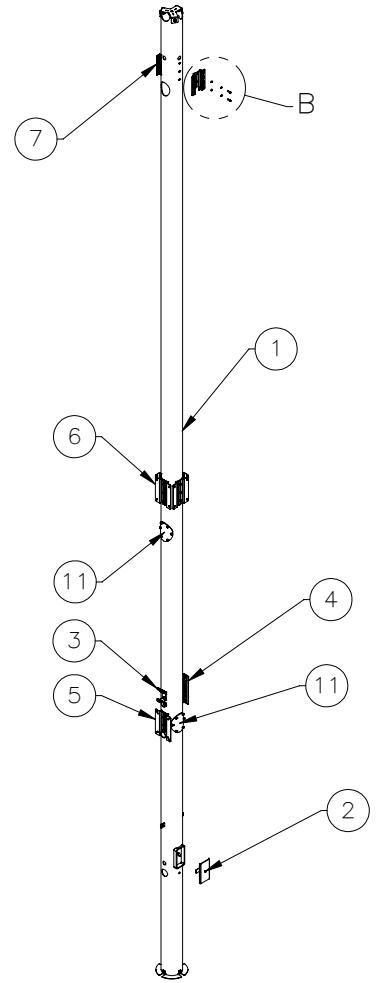
REVISIONS					
REV.	DCN #	DESCRIPTION	DATE	BY	APPROVED
12	01114	VISUALLY UPDATED FOR BELOW CHANGES AND UPDATED NOTES	1/21/2022	BLH	JPB



DETAIL A
HAND HOLE
5X


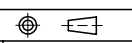


DETAIL B
TYP. HAT
CONNECTION



ITEM NO.	QTY REQD	PART NUMBER	DESCRIPTION	LENGTH	WEIGHT
1	1	1002-0000-0012	40'-11" BARE MONOPOLE		1383.9
2	1	1000-0020-0036	6" X 12" HANDHOLE COVER KIT		4.26
3	1	P-003-179	EQUIPMENT HAT, LOAD CENTER		1.3
4	1	P-003-310	EQUIPMENT HAT, CHARLES FIBER ENCLOSURE, 10" PIPE		7.48
5	1	P-003-311	EQUIPMENT HAT, METER ENCLOSURE, 10" PIPE		6.75
6	4	P-003-313	EQUIPMENT HAT, RECTIFIER, 10" PIPE		7.35
7	2	P-003-314	EQUIPMENT HAT, CBRS RADIO, 10" PIPE		4.47
8	34	002-0BZ-0052	BOLT, HEX, .375-16X 1.5 LG, GR 5, ZINC		0.01
9	34	002-0FW-G005	WASHER, FLAT, .375, GALV		0.01
10	34	002-0LW-G005	WASHER, SPLIT LOCK, .375 INCH, GALV.		0.01
11	2	P-003-433	COVER PLATE		8.6

NOTE:
 1. PAINT OR GALVANIZE PER CUSTOMER SPEC.
 2. TELECOM EQUIPMENT PROVIDED BY OTHERS

SURFACE FINISH <input checked="" type="checkbox"/> UNLESS OTHERWISE SPECIFIED		UNLESS OTHERWISE SPECIFIED DIMENSIONS ARE IN INCHES		APPROVALS		DATE		 ELECTRO MECHANICAL INDUSTRIES, INC. 11230 NEESESHAW DRIVE HOUSTON, TEXAS 77065 1-800-453-0050	
MATERIAL SEE PARTS LIST		TOLERANCES .00 ±.06 .000 ±.01 .000 ±.005 FRACTIONS ± 1/16 ANGLES ± .25° HOLES: DRILLED OR PUNCHED +1/32 BURNED ±1/32		DRAWN C. SANCHEZ		11.01.18			
THIRD ANGLE PROJECTION 				CHECKED J. BREEN		11/16/18		SIZE B	
NEXT ASSY		USED ON		ENGINEER/DESIGNER J. BREEN		11/16/18		DRAWING NO. 1002-0020-0026	
APPLICATIONS				PRODUCTION JKS		11/16/18		REV 12	
				SCALE: 1:36		WEIGHT: 1460 lbs.		SHEET 1 OF 1	