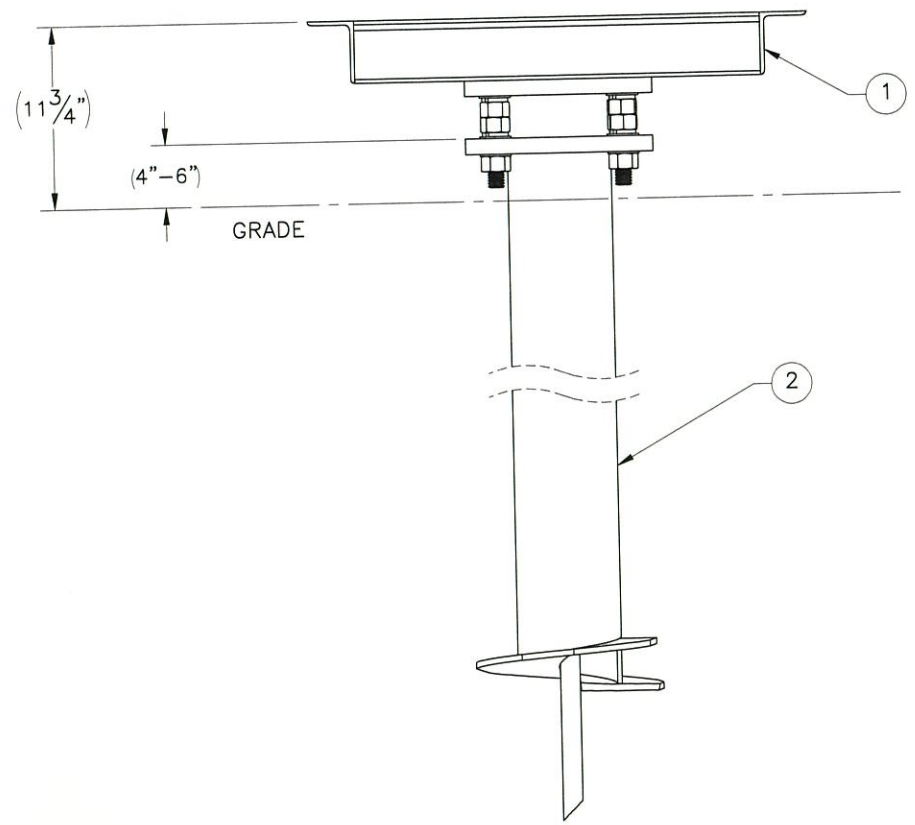
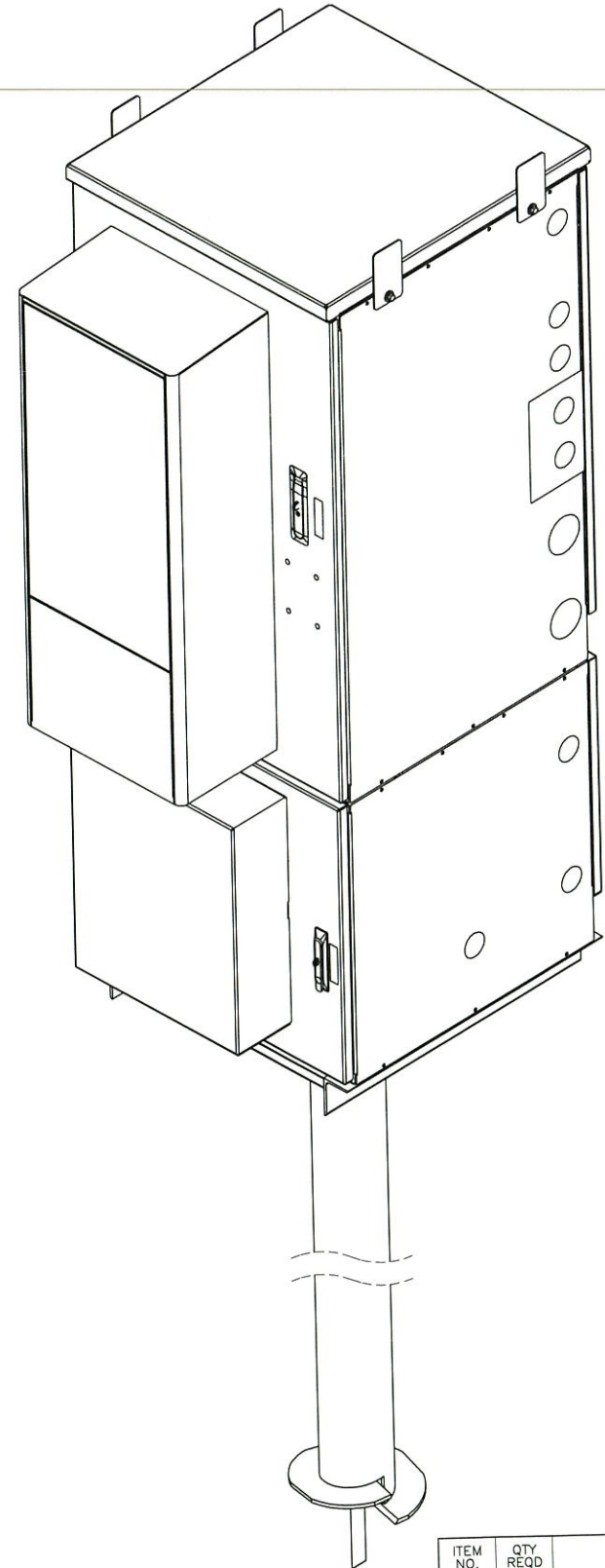
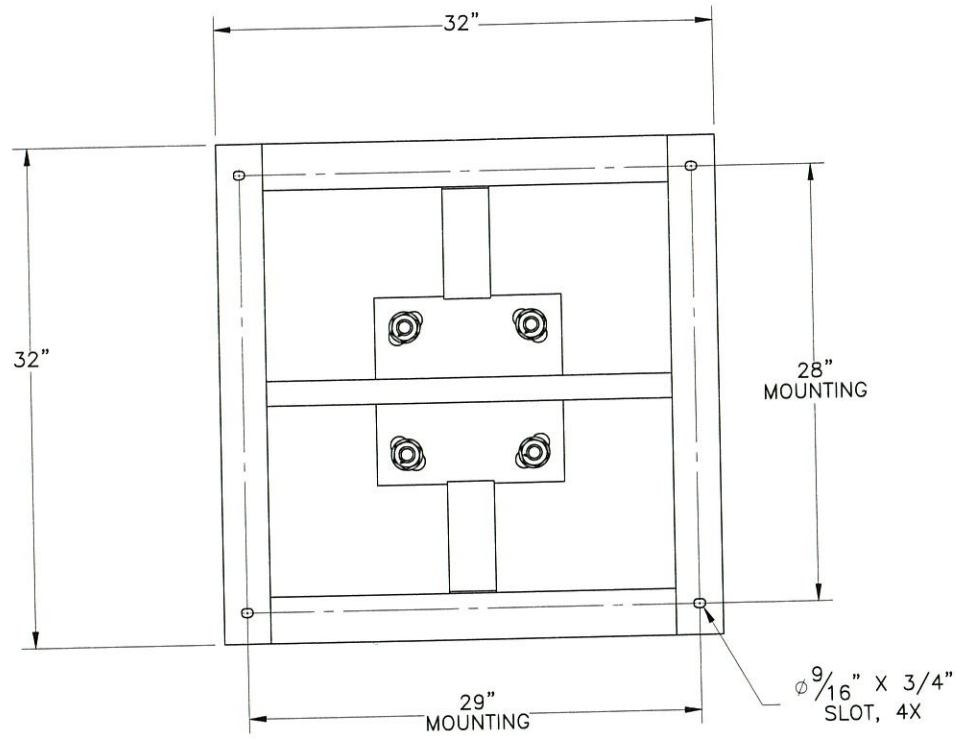


THE INFORMATION CONTAINED IN THIS DRAWING IS THE SOLE PROPERTY OF ELECTRO MECHANICAL INDUSTRIES, INC. ANY REPRODUCTION IN PART OR WHOLE WITHOUT THE WRITTEN PERMISSION OF ELECTRO MECHANICAL IND., IS PROHIBITED.



ITEM NO.	QTY REQD	PART NUMBER	DESCRIPTION	LENGTH	WEIGHT
1	1	W-001-488	FRAME WELDMENT		108.4
2	1	400-000-1417	HELICAL FOUNDATION KIT		188.4

SURFACE FINISH <input checked="" type="checkbox"/> UNLESS OTHERWISE SPECIFIED		UNLESS OTHERWISE SPECIFIED DIMENSIONS ARE IN INCHES		APPROVALS	DATE
MATERIAL SEE PARTS LIST		TOLERANCES		DRAWN C. SANCHEZ	7.24.19
THIRD ANGLE PROJECTION		0 ± .06 .00 ± .015 .000 ± .005		ENGINEER	8/13/19
NEXT ASSY USED ON		FRACTIONS ± 1/16 ANGLES ± .25°		ENGINEER/DESIGNER	8/13/19
APPLICATIONS		HOLES: DRILLED OR PUNCHED +1/32 BURNED ±1/32		PRODUCTION	JKS 8-14-19

ELECTRO MECHANICAL INDUSTRIES, INC. 11230 NEECHAW DRIVE HOUSTON, TEXAS 77065 1-800-453-0050	
TITLE: CABINET FRAME PLATFORM KIT W/ HELICAL	
SIZE B	DRAWING NO. 1000-0010-0168
SCALE: 1:12	WEIGHT: 297 lbs.
SHEET 1 OF 1	