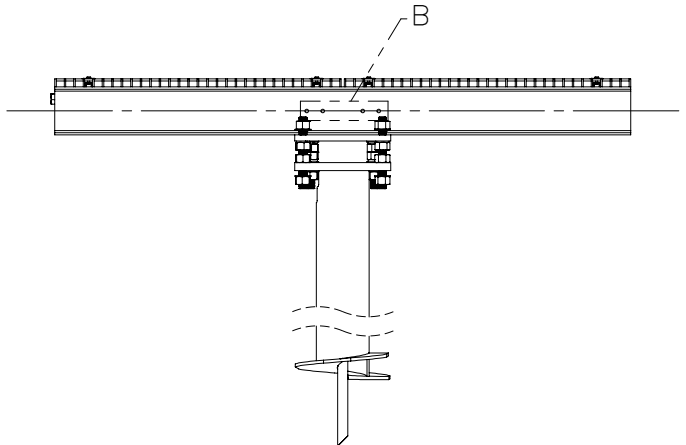
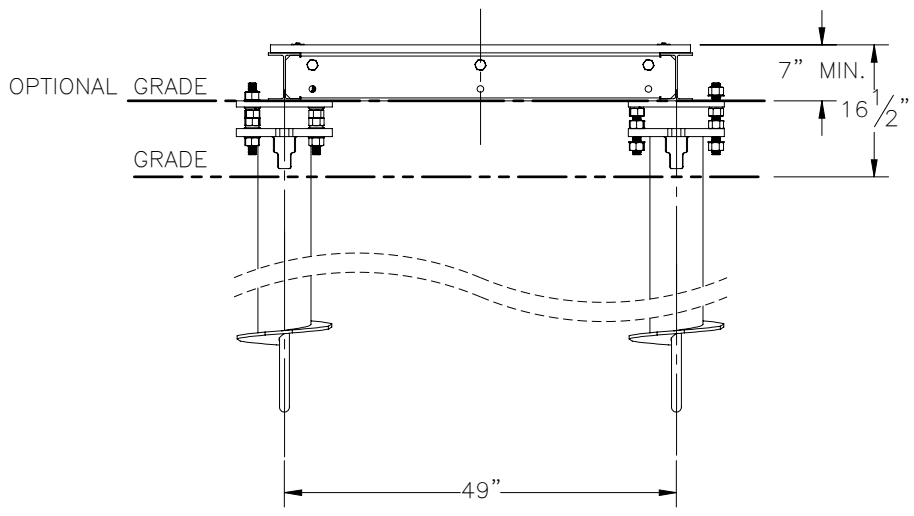
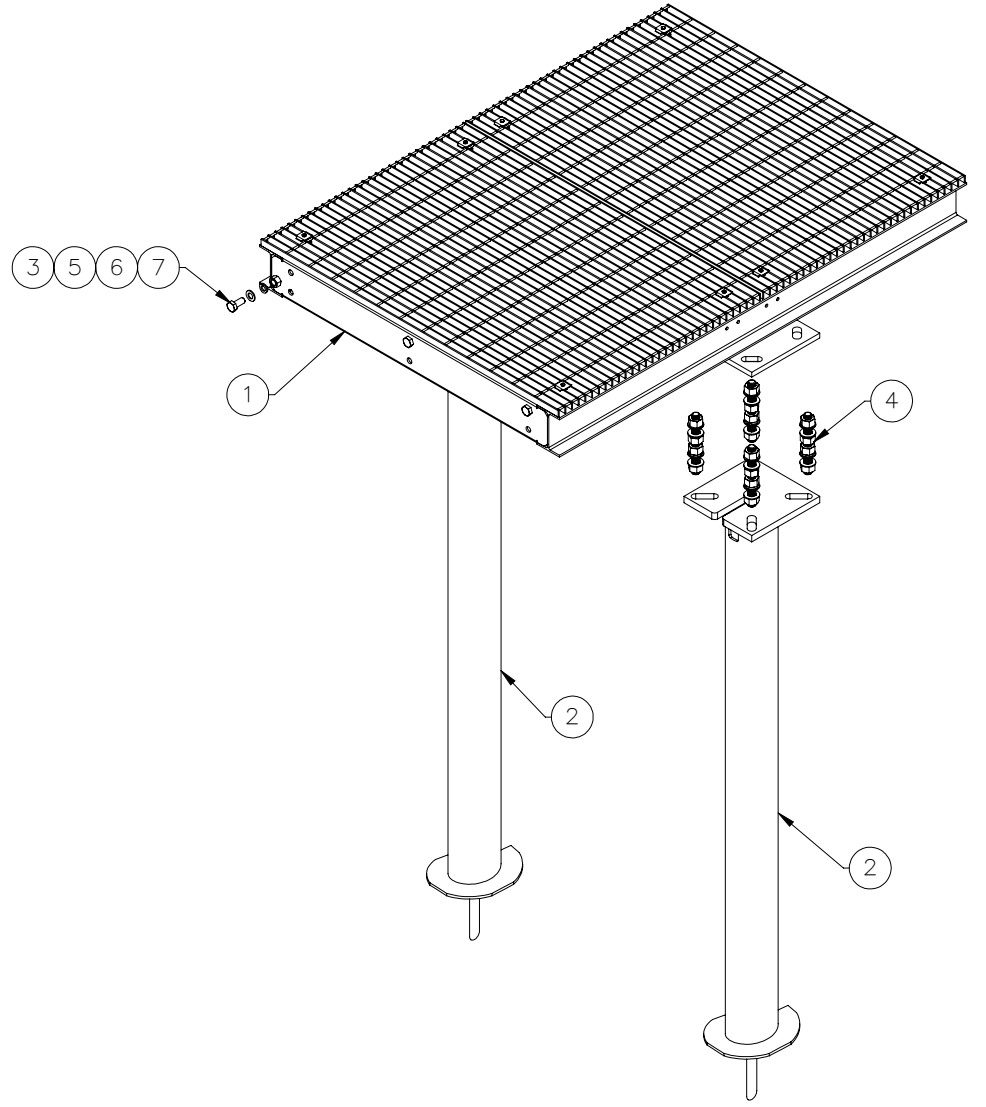
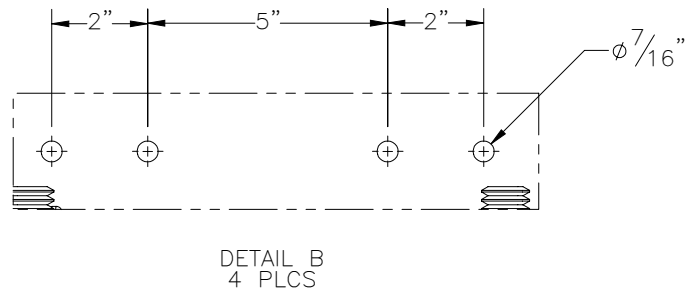
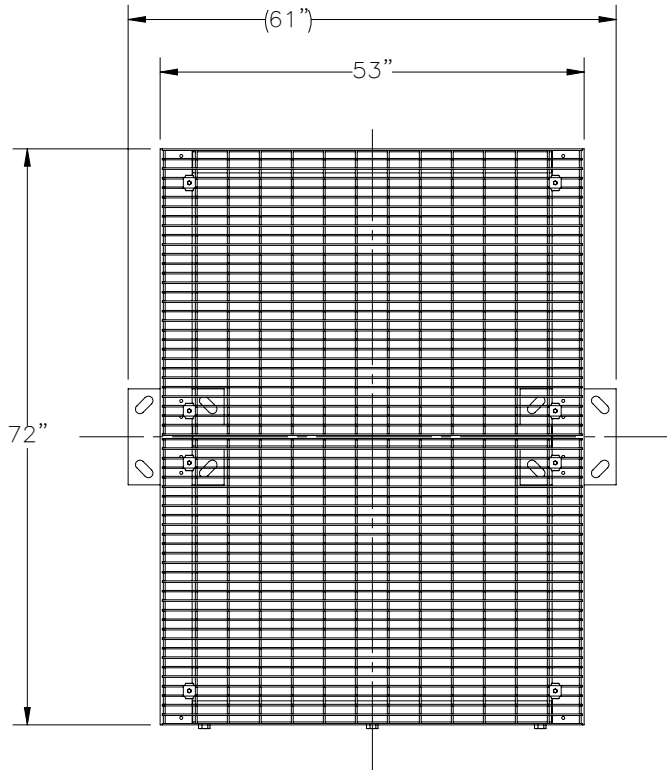

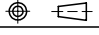


THE INFORMATION CONTAINED IN THIS DRAWING IS THE SOLE PROPERTY OF ELECTRO MECHANICAL INDUSTRIES, INC. ANY REPRODUCTION IN PART OR WHOLE WITHOUT THE WRITTEN PERMISSION OF ELECTRO MECHANICAL IND., IS PROHIBITED.

REVISIONS					
REV.	DCN #	DESCRIPTION	DATE	BY	APPROVED
9	01205	RODENT GUARD P-006-606 ADDED.	01/04/2023	JTR	JPB



ITEM NO.	QTY REQD	PART NUMBER	DESCRIPTION	LENGTH	WEIGHT
1	1	1001-0020-0050	GENERATOR PLATFORM, 5' X 6'		497.80
2	2	1008-0050-0015	6" X 7", HELICAL, SINGLE STUD OPTION		177.2
3	3	002-ONG-0002	NUT, HX, .75-10UNC, GR 2H, GALV		0.19
4	2	1000-0020-0077	QUAD MOUNT LEVELING HARDWARE KIT		15.2
5	3	002-OLW-G003	WASHER, SPLIT LOCK, .75", GALV		0.04
6	3	002-OFW-G003	FW, .75 F436, HDG		0.04
7	3	002-OBG-0207	HHB, .75-10 X 1.75 LG., FT, A325, HDG	1.75	0.40
8	1	P-006-606	RODENT GUARD	36"	2.7

SURFACE FINISH <input checked="" type="checkbox"/> UNLESS OTHERWISE SPECIFIED		UNLESS OTHERWISE SPECIFIED DIMENSIONS ARE IN INCHES		APPROVALS		DATE		 ELECTRO MECHANICAL INDUSTRIES, INC. 11230 NEESESHAW DRIVE HOUSTON, TEXAS 77065 1-800-453-0050	
MATERIAL SEE PARTS LIST		TOLERANCES		DRAWN RLWjr		06.19.2018		TITLE: 5' X 6' GENERATOR PLATFORM	
THIRD ANGLE PROJECTION 		.0 ±.06 .00 ±.015 .000 ±.005		CHECKER J. BUSHMAN		06.19.2018		SIZE B	
NEXT ASSY		FRACTIONS ± 1/16		ENGINEER J. BUSHMAN		6/19/2018		DRAWING NO. 1000-0010-0109	
USED ON		ANGLES ± .25°		PRODUCTION JKS		6/19/2018		REV 9	
APPLICATIONS		HOLES: DRILLED OR PUNCHED ± 1/32		SCALE: 1:24		WEIGHT: 887 lbs.		SHEET 1 OF 1	
		BURNED ± 1/32							



NOTES:



OPTIONAL PLATE PROVIDED IF REQUIRED FOR GENERATOR.