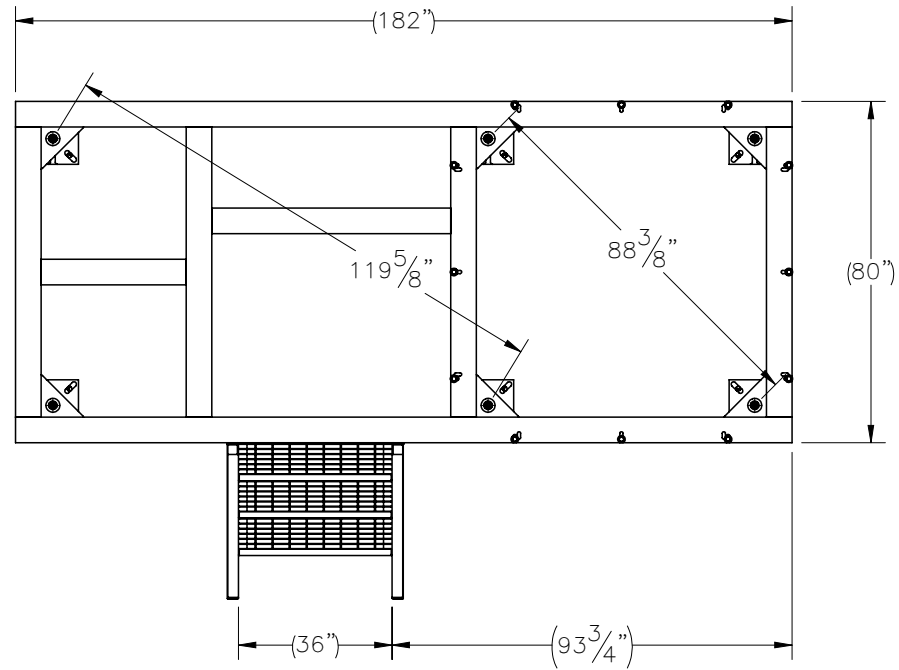
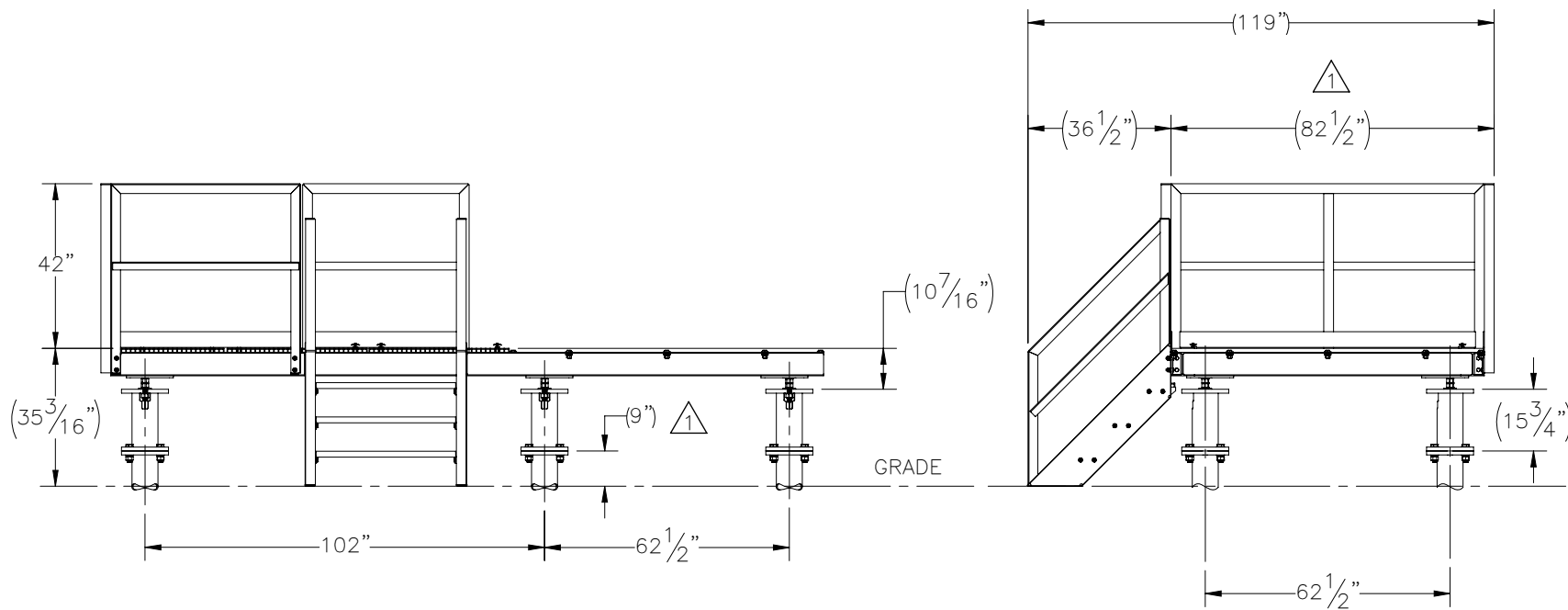
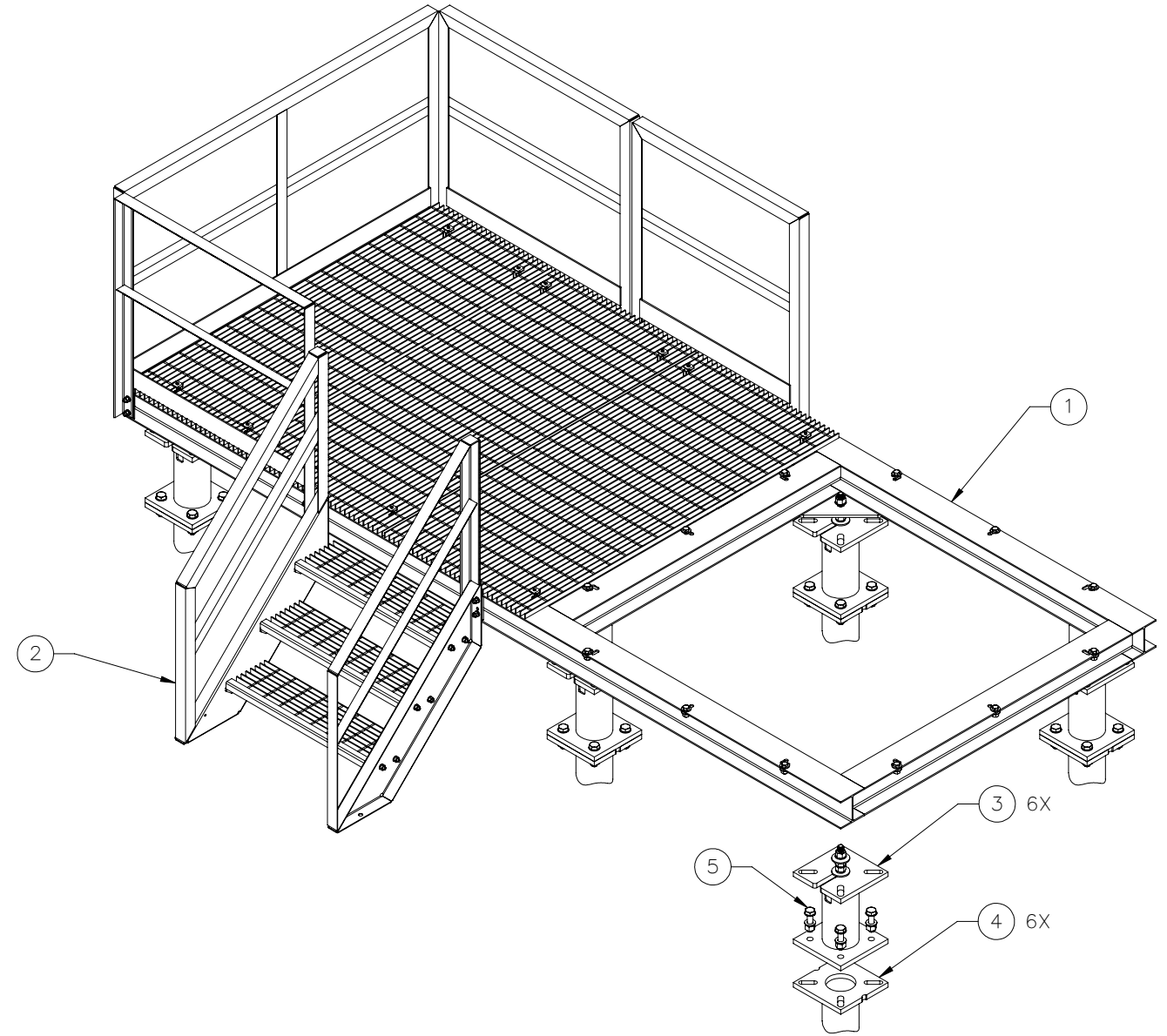


THE INFORMATION CONTAINED IN THIS DRAWING IS THE SOLE PROPERTY OF ELECTRO MECHANICAL INDUSTRIES, INC. ANY REPRODUCTION IN PART OR WHOLE WITHOUT THE WRITTEN PERMISSION OF ELECTRO MECHANICAL IND., IS PROHIBITED.

REVISIONS					
REV.	DCN #	DESCRIPTION	DATE	BY	APPROVED
1	01205	RODENT GUARD P-006-606 ADDED. (9") WAS (8-15/16"), (82-1/2") WAS (82-7/16").	02/14/2023	JTR	JPB


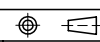


GRATING REMOVED FOR CLARITY



ITEM NO.	QTY REQD	PART NUMBER	DESCRIPTION	LENGTH	WEIGHT
1	1	1001-0010-0063	7' X 15' COMBO W.I.C PLATFORM		1739.7
2	1	450-000-0122	3 TREAD STAIR ASS'Y (36" WIDE)		236.2
3	6	1008-0030-0006	6" X 15-3/4" SINGLE BOLT CONCRETE EXTENSION W/ HDW		93.48
4	6	400-000-1017	6" X 7', 1" HARDWARE- HELICAL PIER		173
5	6	1000-0020-0079	1" X 4" MOUNTING HARDWARE KIT		8
6	1	P-006-606	RODENT GUARD	36"	3

- NOTES:
- OPTIONAL PLATE PROVIDED IF REQUIRED FOR GENERATOR.

SURFACE FINISH		UNLESS OTHERWISE SPECIFIED	UNLESS OTHERWISE SPECIFIED	APPROVALS		DATE	 ELECTRO MECHANICAL INDUSTRIES, INC. 11230 NEESESHAW DRIVE HOUSTON, TEXAS 77065 1-800-453-0050	
MATERIAL	SEE PARTS LIST	TOLERANCES		DRAWN	J.Critelli	6/10/2020	TITLE:	
THIRD ANGLE PROJECTION		.0 ±.06 .00 ±.015 .000 ±.005		CHECKER	J. BREEN	6/11/2020	COMBO WIC PLATFORM KIT	
NEXT ASSY	USED ON	FRACTIONS ± 1/16 ANGLES ± .25°		ENGINEER	J. BREEN	6/11/2020	SIZE	DRAWING NO.
APPLICATIONS		HOLES: DRILLED OR PUNCHED ± 1/32 BURNED ± 1/32		PRODUCTION	J.KS	6/12/2020	B	1000-0010-0090-03
							SCALE: 1:45	REV 1
							WEIGHT: 3623.3 lbs.	SHEET 1 OF 1