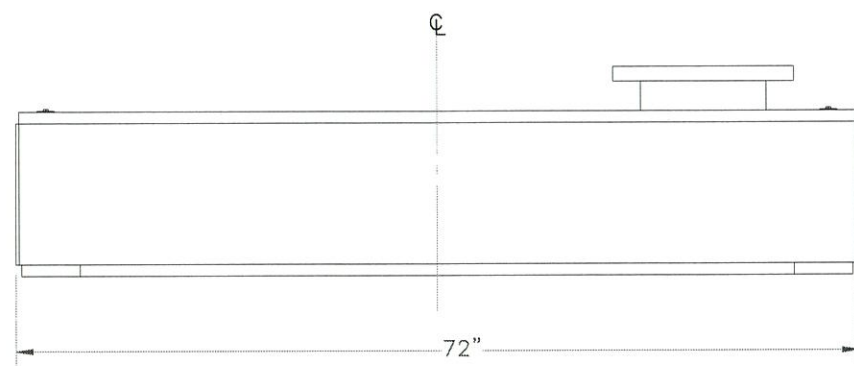
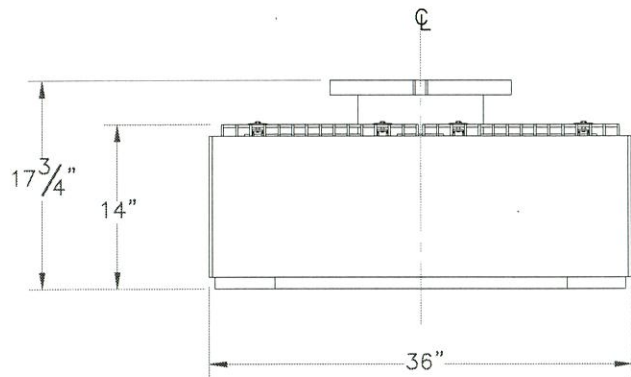
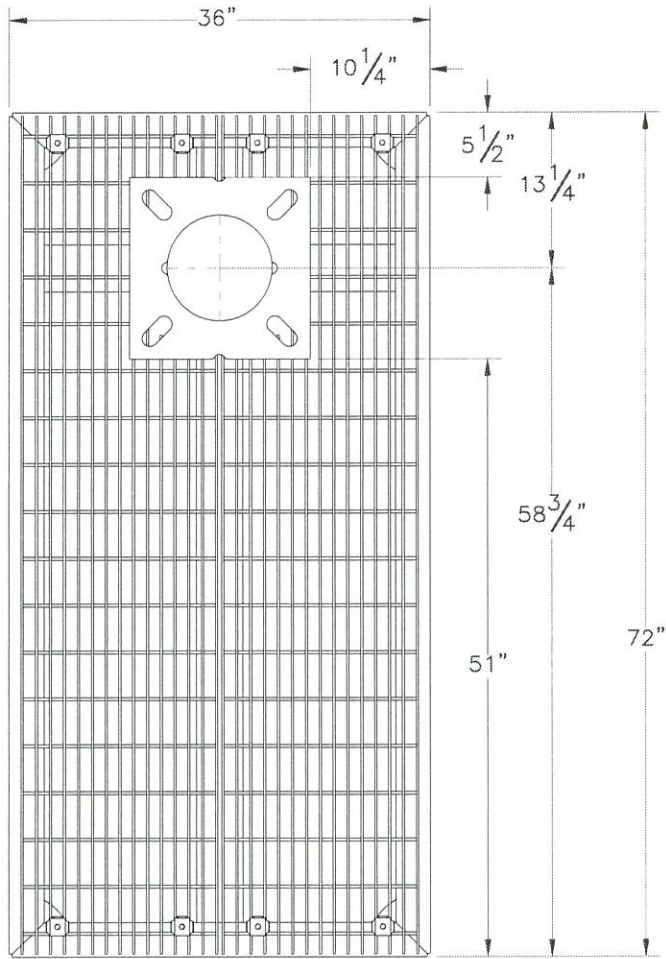
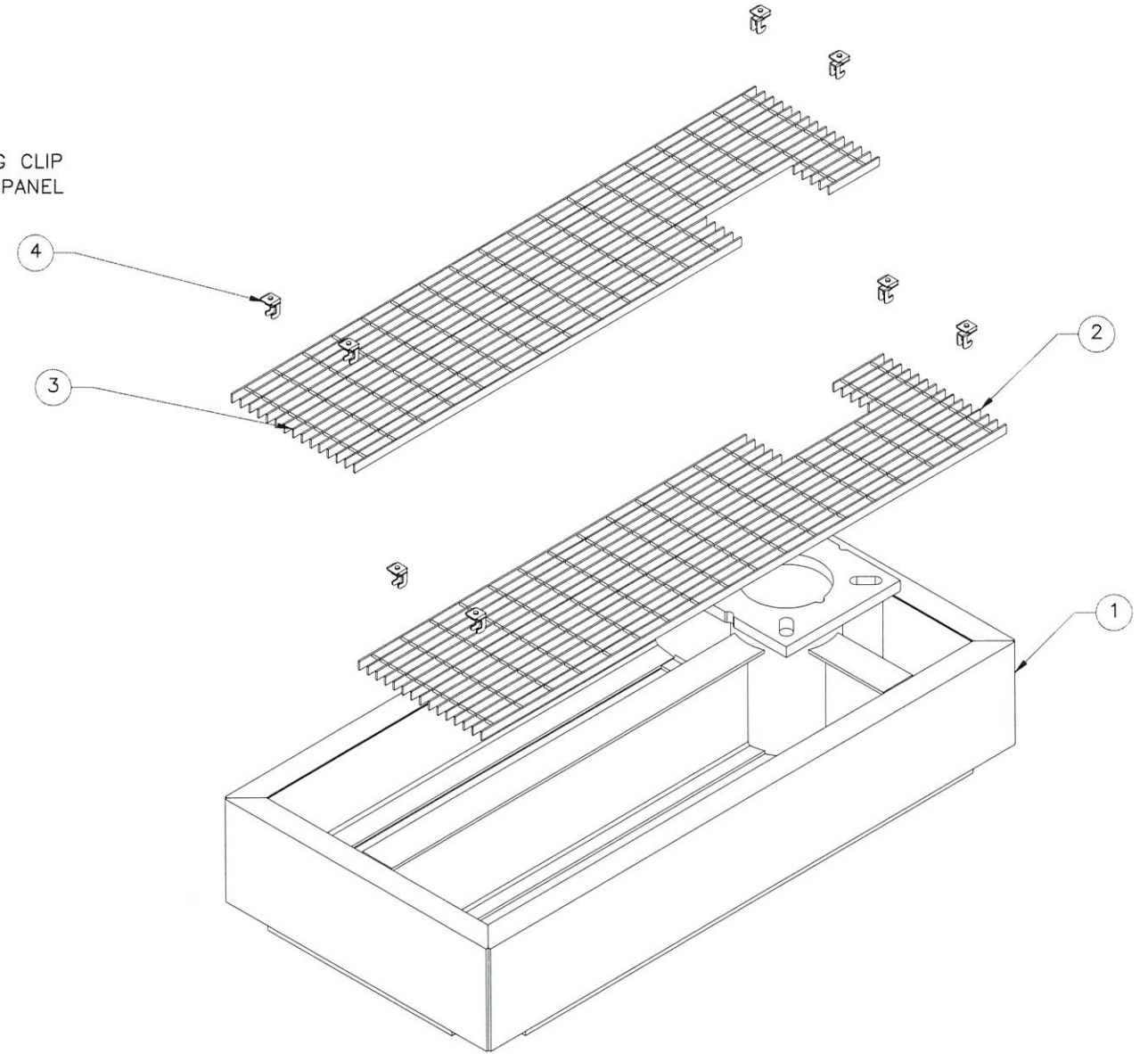




THE INFORMATION CONTAINED IN THIS DRAWING IS THE SOLE PROPERTY OF ELECTRO MECHANICAL INDUSTRIES, INC. ANY REPRODUCTION IN PART OR WHOLE WITHOUT THE WRITTEN PERMISSION OF ELECTRO MECHANICAL IND., IS PROHIBITED.



GRATING CLIP
4 PER PANEL



ITEM NO.	QTY REQD	PART NUMBER	DESCRIPTION	LENGTH	WEIGHT
1	1	W-001-846	3' X 6' BALLAST FOUNDATION, WELDMENT		1254.15
2	1	P-004-074	1-1/2' X 6' GRATING, RIGHT SIDE	71 1/2"	56.81
3	1	P-004-073	1-1/2' X 6' GRATING, LEFT SIDE	71 1/2"	56.81
4	8	000-MSG-0008	GRATING CLIP, 1", GALV.		0.20

SURFACE FINISH <input checked="" type="checkbox"/> UNLESS OTHERWISE SPECIFIED		UNLESS OTHERWISE SPECIFIED DIMENSIONS ARE IN INCHES		APPROVALS	DATE	 ELECTRO MECHANICAL INDUSTRIES, INC. 11230 NEECHAW DRIVE HOUSTON, TEXAS 77065 1-800-453-0050
MATERIAL	SEE PARTS LIST	TOLERANCES		DRAWN	03.04.2020	
THIRD ANGLE PROJECTION		.0 ± .06 .00 ± .015 .000 ± .005		CHECKED	3/16/2020	TITLE: 3' X 6' BALLAST FOUNDATION
NEXT ASSY	USED ON	FRACTIONS ± 1/16 ANGLES ± .25° HOLES: DRILLED OR PUNCHED +1/32 BURNED ± 1/32		ENGINEER/DESIGNER	3/16/2020	
APPLICATIONS				PRODUCTION	3-9-20	SIZE B DRAWING NO. 1008-0010-0020 REV - SCALE: 1:16 WEIGHT: 1369.36 lbs. SHEET 1 OF 1