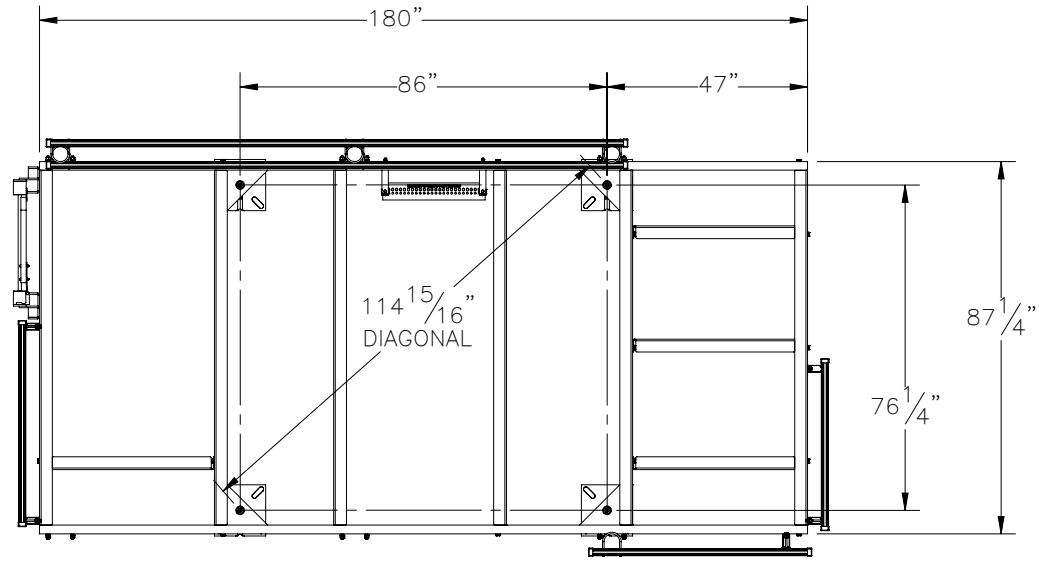
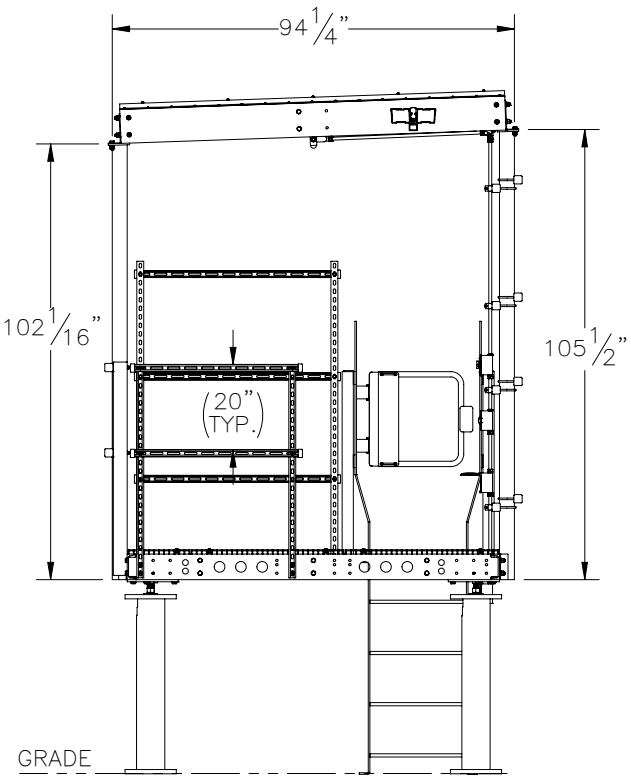
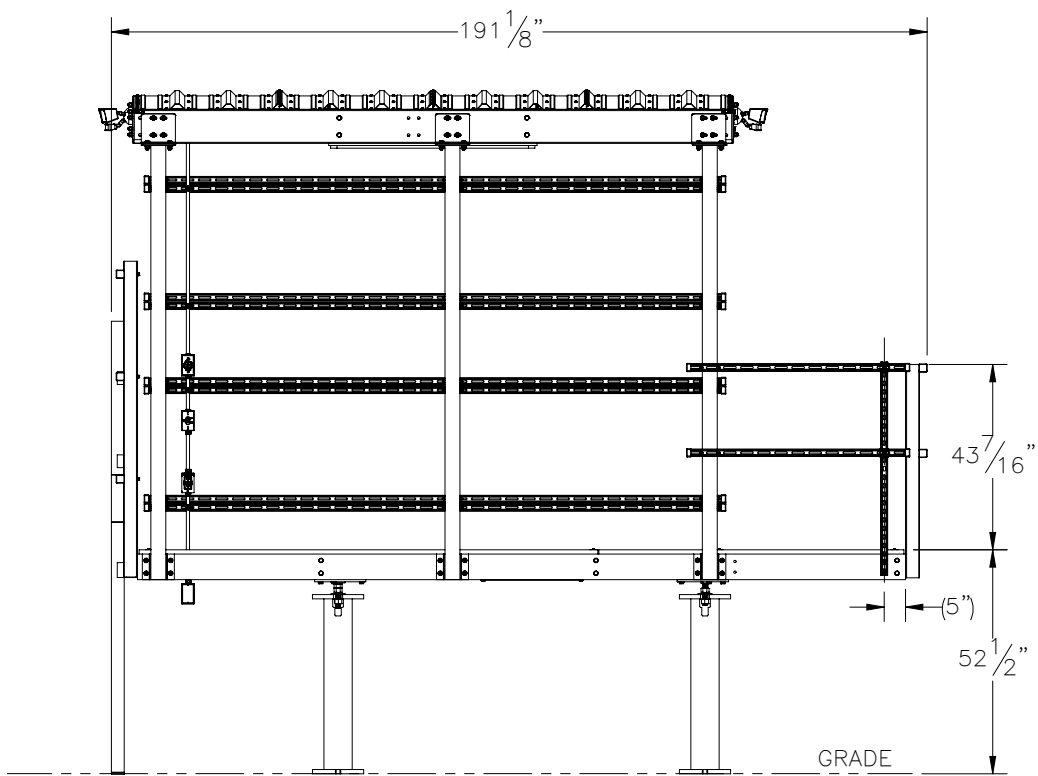


THE INFORMATION CONTAINED IN THIS DRAWING IS THE SOLE PROPERTY OF ELECTRO MECHANICAL INDUSTRIES, INC. ANY REPRODUCTION IN PART OR WHOLE WITHOUT THE WRITTEN PERMISSION OF ELECTRO MECHANICAL IND., IS PROHIBITED.

REVISIONS					
REV.	DCN #	DESCRIPTION	DATE	BY	APPROVED
3	01205	ADDED RODENT GUARD P-006-606.	02/23/2023	JTR	JPB



CANOPY & GRATING  
HIDDEN FOR CLARITY


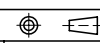


ITEM NO.	QTY REQD	PART NUMBER	DESCRIPTION	LENGTH	WEIGHT
1	1	1001-0020-0056	EMERSON BOLT TOGETHER PLATFORM 87" X 180"		1600.8
2	1	1001-0030-0029	BOLT TOGETHER CANOPY 140.875" X 87.1875"		931.9
3	1	1005-0020-0004	53" ACCESS LADDER ASSEMBLY		146.6
4	1	1000-0000-0119	ELECTRICAL KIT		20.8
5	2	P-006-285	SHORT SIDE HANDRAIL, UNISTRUT	40"	4.6
6	3	P-006-294	SHORT SIDE MOUNTING RAIL, UNISTRUT	48"	5.5
7	2	P-006-286	LONG SIDE HANDRAIL, UNISTRUT	52"	6.0
8	8	P-006-284	LONG SIDE MOUNTING RAIL, UNISTRUT	136"	15.6
9	2	P-006-281	VERT. MOUNTING RAIL, UNISTRUT	74"	18.0
10	3	P-006-282	VERT. HANDRAIL, UNISTRUT	50"	12.2
11	30	309-000-0008	STRUT CHANNEL CAP 1.625" X 1.625"		0.05
12	1	1000-0000-0075	GROUND BAR KIT		8.84
13	4	A-000-250	CORNER FOOT MOUNT ASSY, 2 LEVELING WASHERS		14.1
14	12	002-0BG-0258	HB, .375-16 X 4.50 LG., PT X 1.00, GR. 5, HDG	4.50	0.159
15	76	002-0FW-G005	WASHER, FLAT, .375, GALV		0.01
16	64	002-0LW-G005	WASHER, SPLIT LOCK, .375, GALV		0.01
17	64	002-0NG-0018	NUT, HEX, .375-16UNC, GR 5, GALV		0.02
18	2	002-0SW-H001	WASHER, SQUARE, .50" ID X 2" X .25"		0.27
19	26	002-00U-G046	U-BOLT, .375-16 X 1.75 THD LNG., 3.625 I.D X 5.25 HT, GALV		0.052
20	10	002-0BG-0010	HHB, .500-13 X 1.50 LG., PT X 1.00, A325, HDG	1.50	0.14
21	12	002-0BG-0012	BOLT, HX HD, .500-13UNC X 1.75 LG, ASTM A325, GALV		0.2
22	48	002-0FW-G002	FW, .50, F436, HDG		0.02
23	26	002-0LW-G002	WASHER, SPLIT LOCK, .500", GALV		0.01
24	26	002-0NG-0010	NUT, HEX, .500-13UNC, GR 2H, GALV		0.06
25	4	002-0BG-0010	BOLT, HX. HD., .500-13UNC X 1.50 LG., PARTIAL THD., ASTM A325, GALV.		0.14
26	4	1008-0030-0011	6" X 42" SINGLE BOLT CONCRETE EXTENSION W/ HDW		132.18
27	1	P-006-606	RODENT GUARD	36"	2.7



NOTES:  
OPTIONAL PLATE PROVIDED IF REQUIRED FOR GENERATOR.



SURFACE FINISH <input checked="" type="checkbox"/> UNLESS OTHERWISE SPECIFIED		UNLESS OTHERWISE SPECIFIED DIMENSIONS ARE IN INCHES		APPROVALS		DATE		 ELECTRO MECHANICAL INDUSTRIES, INC. 11250 NEESESHAW DRIVE HOUSTON, TEXAS 77065 1-800-453-0050	
MATERIAL SEE PARTS LIST		TOLERANCES .0 ±.06 .00 ±.015 .000 ±.005 FRACTIONS ± 1/16 ANGLES ± .25° HOLES: DRILLED OR PUNCHED ± 1/32 BURNED ± 1/32		DRAWN J. ROACH		1/31/2022			
THIRD ANGLE PROJECTION 		NEXT ASSY		CHECKER B. HUTSON		2/1/2022		SIZE <b>B</b> DRAWING NO. 1000-0010-0102-04 REV 3 SCALE: 1:45 WEIGHT: 3545.9 lbs. SHEET 1 OF 4	
APPLICATIONS		USED ON		ENGINEER J. Breen		2/2/2022			
				PRODUCTION J. LEE		3/9/2022			

CANOPY TOP HIDDEN FOR CLARITY

UNISTRUT/PIPE  
U-BOLT CONNECTION  
DETAIL  
TYP

UNISTRUT CONNECTION  
W/ 4.5" BOLTS  
DETAIL  
TYP

END CAPS TYP

UNISTRUT TO FRAME  
CONNECTION  
THIS POST ONLY  
W/ 1 SPACER  
& 4.5" BOLTS  
DETAIL 2X

DETAIL A  
TYP. FOUNDATION  
INSTALLATION


UNISTRUT TO FRAME  
CONNECTION

POST TO FRAME  
CONNECTION  
DETAIL  
TYP

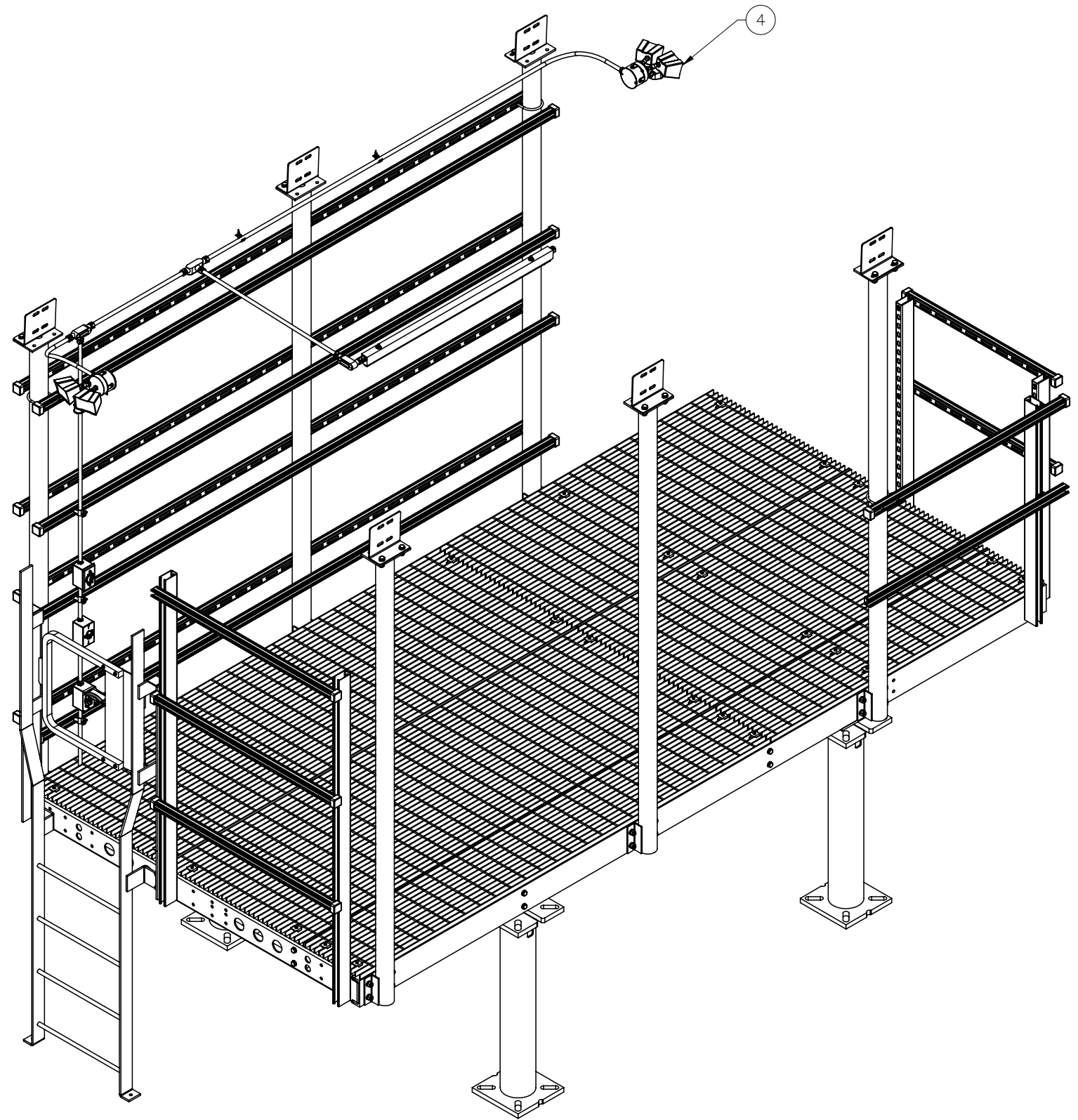
25 22 23 24  
LADDER 4X


20 22 22 23 24  
UNISTRUT 8X

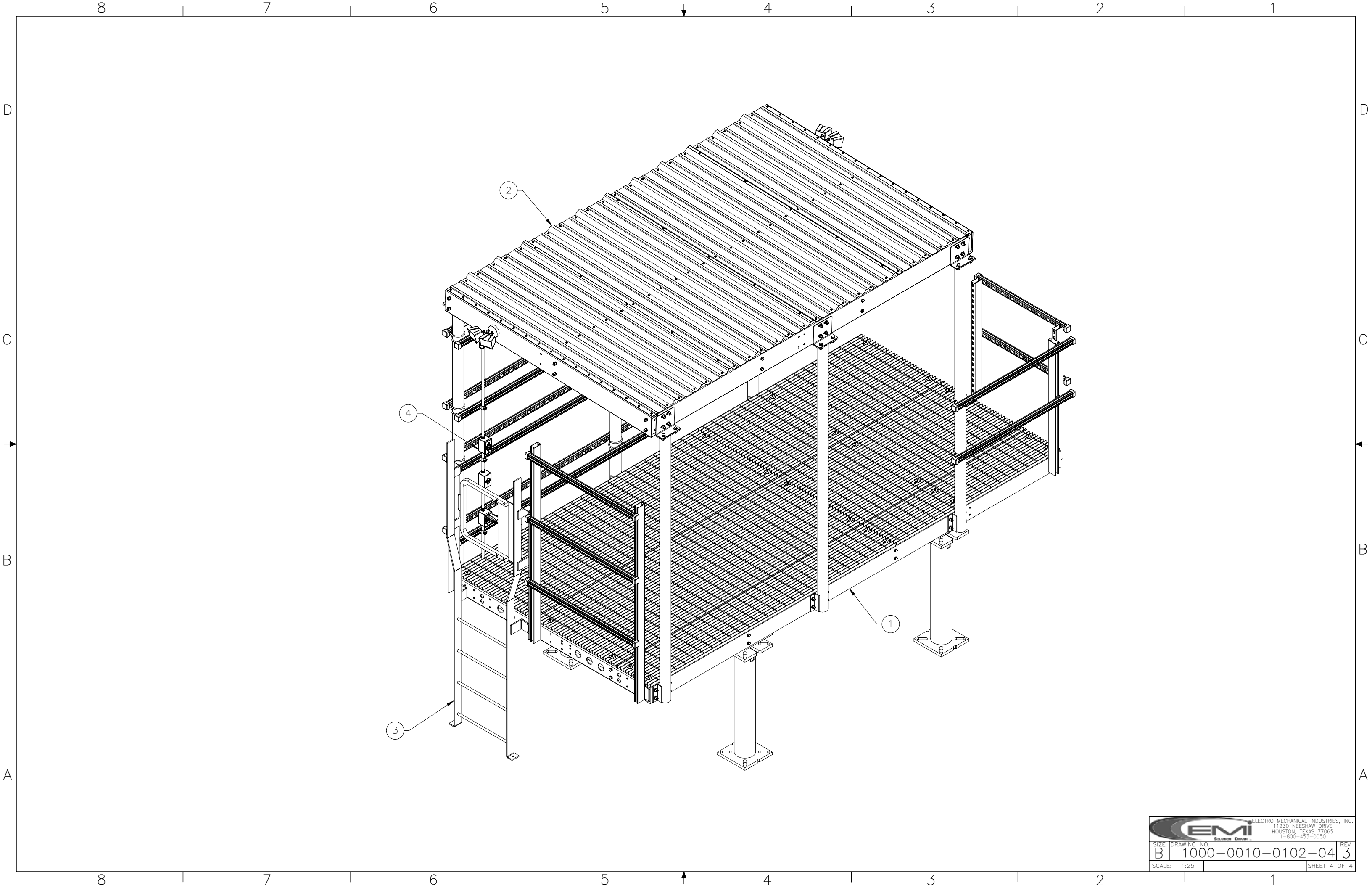
CONNECTION  
DETAIL


		ELECTRO MECHANICAL INDUSTRIES, INC. 11230 NEESHAW DRIVE HOUSTON, TEXAS 77065 1-800-453-0050
SIZE B	DRAWING NO. 1000-0010-0102-04	REV 3
SCALE: 1:25	SHEET 2 OF 4	

CANOPY TOP HIDDEN FOR CLARITY



		ELECTRO MECHANICAL INDUSTRIES, INC. 11230 NEESHAW DRIVE HOUSTON, TEXAS 77065 1-800-453-0050	
SIZE	DRAWING NO.	REV.	
B	1000-0010-0102-04	3	
SCALE: 1:25		SHEET 3 OF 4	



		ELECTRO MECHANICAL INDUSTRIES, INC. 11230 NEESHAW DRIVE HOUSTON, TEXAS 77065 1-800-453-0050	
SIZE	DRAWING NO.	REV.	
B	1000-0010-0102-04	3	
SCALE: 1:25		SHEET 4 OF 4	